

Installation/Operators Manual
For use with WFCO ULTRA III Deckmount Converter
WF-9800 Series
(model number located on the cover of the unit)



Distributed in the U.S.A. and Canada by
CHENG USA, INC.
Sales (574) 294-8997
Warranty Service (877) 294-8997
Fax (574) 294-8698

OEM Installation of the WFCO 9800 Series Power Center



Select a mounting location near the shore power and battery (batteries)

- Do not mount in an area where the owner may store items, as this could reduce the clearance requirements, obstruct ventilation openings and effect the efficient operation of the converter
- Do not install close to appliances that are source of heat or water (such as water heaters, furnaces, and under refrigerators). It is not designed for mounting in humid wet locations. It must be protected from direct contact with water.

▲ WARNING ▲

This equipment employs components that tend to produce arcs or sparks.

To prevent fire or explosion,

DO NOT INSTALL IN COMPARTMENT CONTAINING BATTERIES OR FLAMMABLE MATERIALS (LP gas).

▲ CAUTION ▲

FOR CONTINUED PROTECTION AGAINST RISK OF FIRE, REPLACE ONLY WITH THE SAME TYPE AND RATING FUSE. The fuse rating and type that the manufacturer suggests for the output fuses will be marked on the unit.

During the manufacturing process be sure that all converter openings are protected from debris falling into the unit (**this is a non-warranty item**).

NOTE: If the reverse battery protection fuses are blown during installation, be sure that the battery has been connected properly, then replace the fuses with “Littelfuse®” Type 257 with the same rating as the original.

INSTALLATION INSTRUCTIONS

2

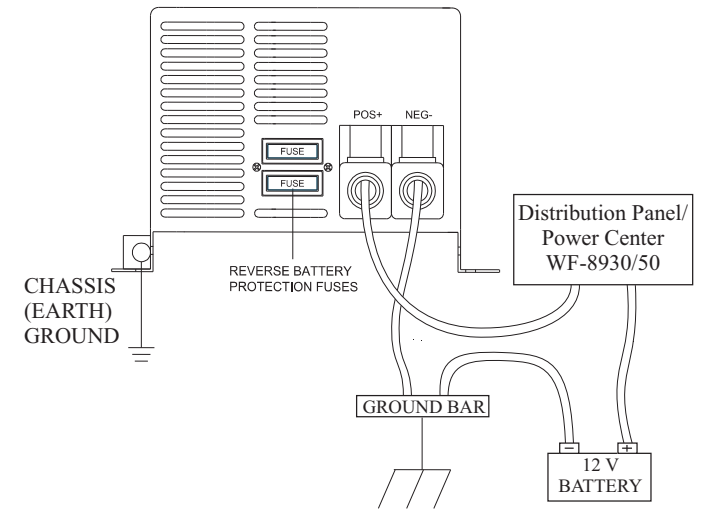


General Consumer Information

- **Reverse Battery protection**
This feature prevents permanent damage to the converter from an incorrect battery connection.
- **Automatic Cooling Fan**
The fan is variable speed and current controlled.
- **Electronic Current Limiting**
Automatically shuts down power during overload or short circuit conditions. Automatically returns to normal operation after conditions are corrected.
- **DC Fuses**
 - Reverse battery protection fuses replace only with ATC “Littelfuse®” Type 257 fuse
- **Light weight**
 - 35 A unit weighs only 9.03 lbs
 - 45 A unit weighs only 11.20 lbs
 - 55 A unit weighs only 11.57 lbs
 - 65 A A unit weighs only 14.33 lbs
 - 75 A unit weighs only 14.88 lbs

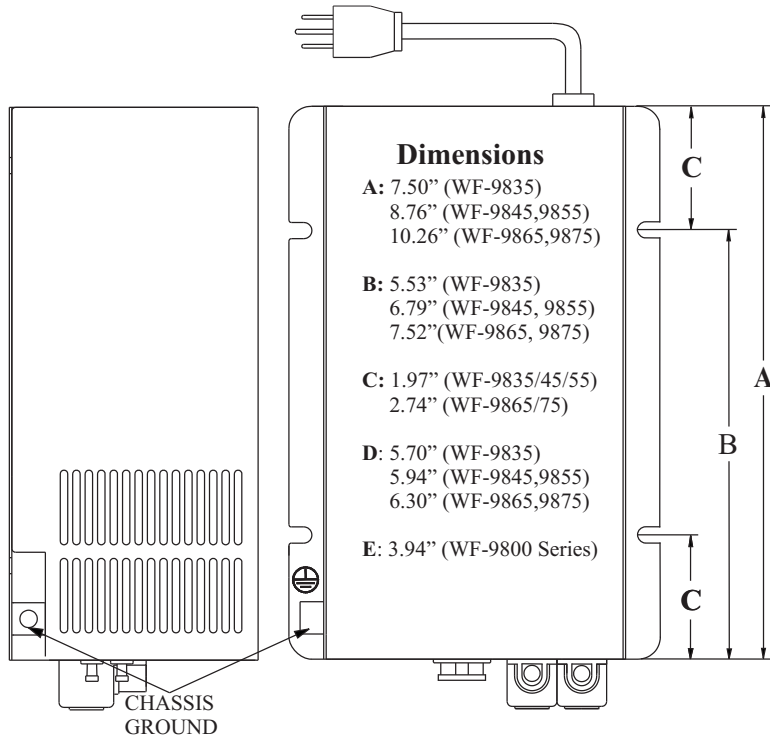
INSTALLATION INSTRUCTIONS

3





WF-9800 Series Converter Dimensions



Dimensions

A: 7.50" (WF-9835)
8.76" (WF-9845,9855)
10.26" (WF-9865,9875)

B: 5.53" (WF-9835)
6.79" (WF-9845, 9855)
7.52" (WF-9865, 9875)

C: 1.97" (WF-9835/45/55)
2.74" (WF-9865/75)

D: 5.70" (WF-9835)
5.94" (WF-9845,9855)
6.30" (WF-9865,9875)

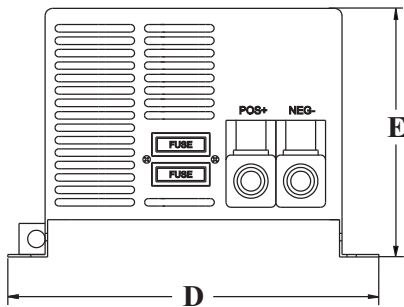
E: 3.94" (WF-9800 Series)

INSTALLATION INSTRUCTIONS

4

REVERSE POLARITY FUSES USED:

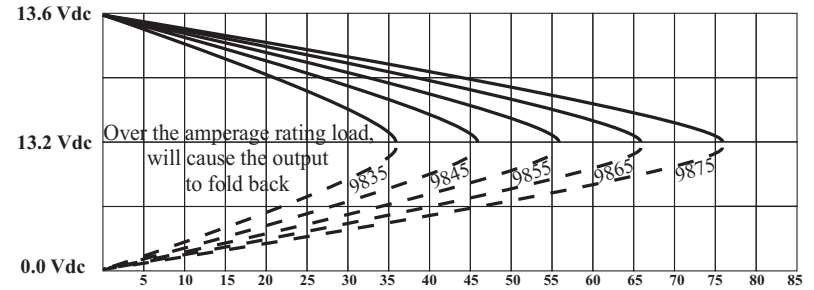
WF-9835 - 35 Adc
WF-9845 - 30/30 Adc
WF-9855 - 35/35 Adc
WF-9865 - 40/40 Adc
WF-9875 - 40/40 Adc



WF-9800 Series Specifications

Output Load Curve

Model: WF-9835, 9845, 9855, 9865, and 9875



SPECIFICATIONS

5

WF-9800 Facts Summary

Model No.	AC Input		DC Output		Dimensions			Weight (lbs)	Fan Cooled
	Voltage (V)	Current (A)	Volts (V)	Amps (A)	High (in)	Width (in)	Length (in)		
WF - 9835	120 Vac 60 Hz	6.25	Bulk Charge Mode: 14.4 Vdc, 4hr max. Absorption Mode: 13.6 Vdc Float Mode: 13.2 Vdc	35	3.94	5.70	7.48	9.03	Yes
WF - 9845		7.93		45		5.94	8.66	11.2	
WF - 9855		9.50		55		5.94	8.66	11.57	
WF - 9865		11.30		65		6.30	10.27	14.33	
WF - 9875		13.0		75		6.30	10.27	14.88	



Converter Operation Modes

All WFCO power converters are automatic three stage switching power supplies. The converter senses which mode it needs to be in by checking the RV system voltage.

The three modes/stages of operation include:

Absorption mode / Normal operation

Nominal battery charge and supplies power to appliances

Bulk mode / Bulk charge

Fast battery charge and supplies power to appliances

Float mode / Trickle charge

Trickle battery charge during storage

Absorption Mode: During this mode the converter output is in the 13.6 Vdc range. This is the normal operation mode. This mode provides the 12 Vdc and current required by the 12 Vdc RV appliances, as well as slow charging the battery.

Bulk Mode: When the converter senses that the RV system voltage is less than 13.2 Vdc (equivalent to less than 50% of battery charge) the converter will automatically go into the “Bulk mode”. In this mode the output voltage of the converter will switch to 14.4 Vdc for a maximum of 4 hours. If the converter cycles between “Absorption and Bulk mode”, you could have a shorted battery cell or other issues.

If the output voltage drops below 13.2 Vdc, the converter automatically changes to a “Bulk mode” 14.4 Vdc (unless the converter is in overload condition). There are two signs of an overloaded converter: Low output voltage, and full converter fold back or shutdown. In both cases the converter will automatically turn ON, once the complete load is removed. For low output condition, removing just the extra (over the current rating) load will be sufficient. If it is impractical to remove all the load, resetting the main breaker will have same effect.

Float Mode: If the RV is not being used for approximately 48 hours, with a “no load” condition and the shore power is plugged in, the converter will automatically go in to the “Float mode”. In this mode the converter is charging the battery with a trickle voltage of 13.2 Vdc. When the converter senses a demand (by turning on lights) the converter automatically returns to the “Absorption mode” 13.6 Vdc.

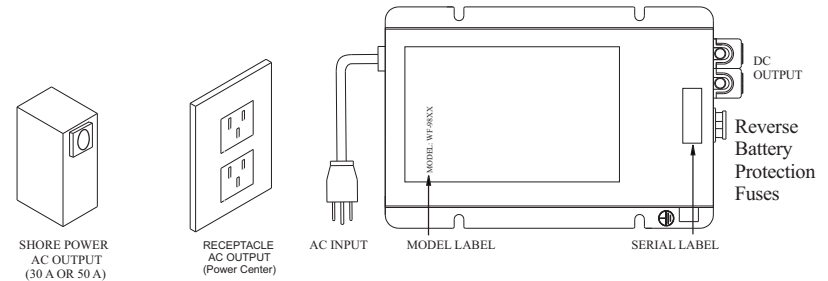
OPERATIONAL FEATURES

6



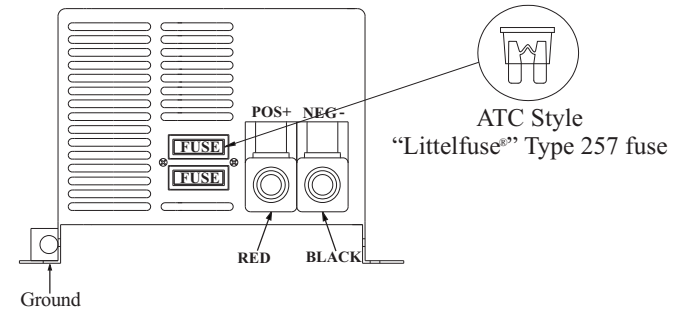
Troubleshooting WF-9800 Converter

If the input from shore power is 105 Vac - 130 Vac to the receptacle, then check the reverse battery protection fuse on the front plate of the WF-9800 deckmount converter. Visually inspect the fuses for any breaks/opens: If the fuses do not appear to be open then use a tester to check for continuity..



If the reverse polarity fuses are blown it means the RV battery was accidentally connected in reverse, either at the battery or at the converter. Reconnect properly, and then replace the fuse with the same type and amp rating as the original, “Littelfuse” Type 257 automotive style fuse.

IMPORTANT: These fuses protect the converter from damage in the event that the RV battery is accidentally connected in reverse. A reverse battery connection, even for a second, is the only reason that these fuses will blow.



TROUBLESHOOTING INSTRUCTIONS

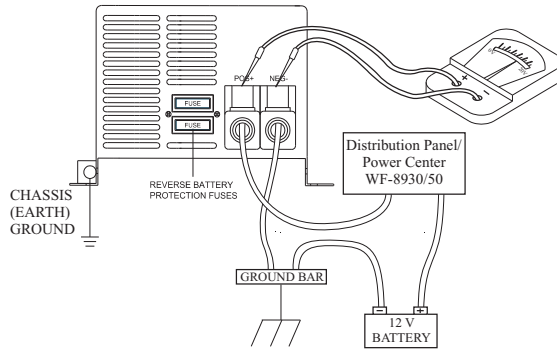
7



WF-9800 Series Troubleshooting

Before the converter output voltage can be checked, it is necessary to disconnect both DC output wires from the converter (as shown below). Use a 5/16 hex driver to disconnect the wires. Cover each wire with electrical tape to prevent shorts. Using a voltmeter check the converter output voltage.

Place the **Positive +** (red) probe in the **POS +** output (red) and place the **Negative-** (black) test probe into the **NEG-** (black) output terminal of converter. Be sure you have good connections at the terminals. If the voltage reads 13.6 Vdc (+/- .2volts) the converter is functioning properly.



If the converter output voltage reads in the 13.6 Vdc range, and the battery is not charging, check for:

- an open inline fuse in the battery wire (if provided)
- an open wire between the converter and the RV battery
- loose ground
- improper torques

If the converter fuses and AC voltage are good, but the converter output still reads zero volts, the converter is not functioning properly. Contact Cheng USA, Inc. Tech Support at: 1 (877) 294-8997

TROUBLESHOOTING INSTRUCTIONS 8



GENERAL COMPLIANCE INFORMATION

The WF-9800 series units are UL, and cUL (Canadian) listed. They comply with FCC Class B requirement (see below).

FCC Compliance Class B:

NOTE: This equipment has been tested and found to comply with the limits for a Class B digital device, pursuant to Part 15 of the FCC Rules. These limits are designed to provide reasonable protection against harmful interference when the equipment is operated in a commercial environment. This equipment generates, uses, and can radiate radio frequency energy and, if not installed and used in accordance with the instruction manual, may cause harmful interference to radio communications. Operation of this equipment in a residential area is likely to cause harmful interference in which case the user will be required to correct the interference at his own expense.

COMPLIANCE 9



**Consumer Limited Warranty
For
WFCO Electronic Products**

WFCO extends, to the original owner a Two Year Limited Product Warranty. This Warranty is in effect from the date of original purchase for a period of two (2) years. This Limited Warranty is extended specifically for and is limited to recreational vehicle application and is only valid within the continental United States, Alaska, Hawaii and the provinces of Canada. WFCO warrants, to the owner, that its products are free from defects in material and workmanship under normal use and service based on its intended use and function. This Warranty is limited to the repair or replacement, at WFCO's discretion, of any defective parts or defective assembly. Any implied warranties of merchantability or fitness for intended use are limited in duration unless applicable State Law provides otherwise. You may have other rights as specified by each individual state.

EXCLUSIONS and LIMITATION

The OEM Warranty specifically does not apply to the following:
Any WFCO product that has been repaired or altered by any unauthorized person. Any damage caused by misuse, faulty installation, testing, negligence or accident or any WFCO product installed in a commercial vehicle.
Any WFCO product whose serial number has been defaced, altered or removed.
Any WFCO product whose installation has not been in accordance to the WFCO written instruction. Any consequential damages arising from the loss of use of the product including but not limited to: inconvenience, loss of service, loss of revenue, loss or damage to personal property and cost of all services performed in removing or replacing the WFCO product. Specifications are subject to change without notice or obligation.

CONSUMER WARRANTY CLAIM PROCEDURE

Upon determination and validation by an authorized OEM dealer that a WFCO product has a defect, the dealer shall contact the WFCO warranty service number (877) 294-8997 and obtain a return goods authorization (RGA) number. This number shall appear on all correspondence with warranty service. Upon validation of the warranty WFCO shall replace or repair the product with a like product. The RGA number shall be placed on the outside of the carton used to return the product for ease of identification. Do not mark directly on the product. The product must be packaged properly to avoid further damage to the product which could cause a non-warrantable condition.



LIMITED WARRANTY

10



11