

# INSTALLATION AND OPERATION MANUAL



**DIRECT VENT GAS WATER HEATER MODELS**  
SW4D Direct Spark Ignition • SW6D Direct Spark Ignition  
SW4DE Direct Spark Ignition and Electric Element  
SW6DE Direct Spark Ignition and Electric Element  
SW6DM Direct Spark Ignition and Motor Aid  
SW6DEM Direct Spark Ignition, Electric Element, and Motor Aid



**FOR INSTALLATION IN RECREATIONAL  
VEHICLES AND MOBILE HOUSING**

## **FOR YOUR SAFETY**

### **WHAT TO DO IF YOU SMELL GAS**

- DO NOT TRY TO LIGHT ANY APPLIANCE.
- DO NOT TOUCH ANY ELECTRIC SWITCH: DO NOT USE ANY PHONE IN YOUR VEHICLE.
- IMMEDIATELY CALL YOUR GAS SUPPLIER FROM A NEIGHBOR'S PHONE. FOLLOW THE GAS SUPPLIER'S INSTRUCTIONS.
- IF YOU CANNOT REACH YOUR GAS SUPPLIER, CALL THE FIRE DEPARTMENT.

## **FREEZE WARNING**

DRAIN HEATER IF SUBJECT TO FREEZING TEMPERATURES.

**WARNING:** IMPROPER INSTALLATION, ADJUSTMENT, ALTERATION, SERVICE OR MAINTENANCE CAN CAUSE INJURY OR PROPERTY DAMAGE. REFER TO THIS MANUAL. FOR ASSISTANCE OR ADDITIONAL INFORMATION, CONSULT A QUALIFIED INSTALLER, SERVICE AGENCY OR THE GAS SUPPLIER.

## **FOR YOUR SAFETY**

DO NOT STORE OR USE GASOLINE OR OTHER COMBUSTIBLE MATERIALS OR LIQUIDS NEAR OR ADJACENT TO THIS HEATER OR ANY OTHER APPLIANCE. THIS APPLIANCE SHALL NOT BE INSTALLED IN ANY LOCATION WHERE FLAMMABLE LIQUIDS OR VAPORS ARE LIKELY TO BE PRESENT.

AN ODORANT IS ADDED TO THE GAS USED BY THIS WATER HEATER.

**INSTALLER:** AFFIX THESE INSTRUCTIONS TO OR ADJACENT TO WATER HEATER.  
**OWNER:** RETAIN THESE INSTRUCTIONS AND WARRANTY FOR FUTURE REFERENCE.

ALL TECHNICAL AND WARRANTY QUESTIONS SHOULD BE DIRECTED TO THE COMPANY LISTED ON THE WARRANTY OR RATING PLATE WHICH CAME WITH YOUR WATER HEATER.



AIRXCEL, INC. - SUBURBAN DIVISION  
676 Broadway Street  
Dayton, Tennessee 37321  
423-775-2131  
[www.Airxcel.com](http://www.Airxcel.com)

## SAFETY WARNINGS

**WARNING!** It is imperative that the water heater tank be filled with water before operating the water heater. Operation of the water heater without water in the tank may result in damage to the tank and/or controls. This type of damage is not covered by the limited warranty.

**WARNING!** Hydrogen gas may result if you have not used this heater for two weeks or more. HYDROGEN GAS IS EXTREMELY FLAMMABLE. To reduce the risk of injury under these conditions, open the hot water faucet for several minutes at the kitchen sink before you use any electrical appliance connected to the hot water system. If hydrogen is present, you probably will hear an unusual sound such as air escaping through the pipe as the water begins to flow.

Hydrogen gas may be present even after water has been drained from the tank. Open faucet at sink and allow system to vent for several minutes (5-10 minutes).

Do not smoke or have any open flame near the open faucet. Do not attempt to light pilot or main burner. On DSI models, be sure the switch is "OFF".

Should overheating occur, or the gas supply fail to shut off, shut off the manual gas valve to the appliance before shutting off the electrical supply.

Do not use this appliance if any part has been submerged under water. Immediately call a qualified service technician to inspect the appliance and to replace any part of the control system and any gas control that has been submerged under water.

Do not alter the operation of your water heater nor change the design/construction of your water heater. Accessories are being marketed for RV products which we do not recommend. For your safety, only factory authorized parts are to be used on your water heater.

Periodically inspect the vent for obstructions or presence of soot. Soot is formed whenever combustion is incomplete. This is your visual warning that the water heater is operating in an unsafe manner. If soot is present, immediately shut the water heater down and contact your dealer or a qualified service person.

When considering add-on rooms, porch or patio, attention must be given to the venting of your water heater. For your safety, do not terminate the vent on your water heater inside add-on rooms, screen porch or onto patios. Doing so will result in products of combustion being vented into the rooms or occupied areas.

Never operate the heater if you smell gas. Do not assume that the smell of gas in your RV is normal. Any time you detect the odor of gas, it is to be considered life threatening and corrected immediately. Extinguish any open flames including cigarettes and evacuate all persons from the vehicle. Shut off gas supply at LP gas bottle. (See Safety notice on front cover of this manual.)

**NOTE:** Always open both the cold and hot water faucets when filling vehicle water tank to allow air pockets to be forced out of the water heater. When water flows from the heater faucets, close both faucets.

**WARNING!** Do not store or use combustible materials or liquids near or adjacent to this heater. The appliance shall not be installed in any location where flammable liquids or vapors are likely to be present.

Be sure the power is "OFF" to the water heater ignition system during any type of refueling and while vehicle is in motion or being towed.

The thermostat on your water heater is not adjustable. It is a temperature sensing limit designed to maintain a water temperature of 130°F (54°C). Water temperatures over 125°F (49°C) can cause severe burns instantly or death from scalds; therefore, be careful when using hot water. Children, disabled and elderly are at highest risk of being scalded. Always feel water before bathing or showering.

## INSTALLATION REQUIREMENTS

**WARNING!** Installation of this appliance must be made in accordance with the written instructions provided in this manual. No agent, representative or employee of Suburban or other person has the authority to change, modify or waive any provision of the instructions contained in this manual.

**NOTE:** Do not install the water heater with the door facing toward the forward end of the coach. See Figures 19, 20 and 21.

**CAUTION:** If possible, do not install the water heater to where the vent can be covered or obstructed when any door on the trailer is opened. If this is not possible, then the travel of the door must be restricted in order to provide a 6" minimum clearance between the water heater vent and any door whenever the door is opened.

**CAUTION:** Due to the differences in vinyl siding, this appliance should not be installed on vinyl siding without first consulting with the manufacturer of the siding or cutting the siding away from the area around the appliance vent.

**CAUTION:** In any installation in which the vent of this appliance can be covered due to the construction of the RV or some special feature of the RV such as slide out, pop-up etc., always insure that the appliance cannot be operated by setting the thermostat to the positive "OFF" position and shutting off all electrical and gas supply to the appliance.

**CAUTION:** Do not install this appliance to where the vent terminates below a slide-out. This appliance is not to be installed under any overhang. It must be free and clear of any type overhang.

This installation must conform with the requirements of the authority having jurisdiction or in the absence of such requirements with the latest edition of the National Fuel Gas Code ANSI Z223.1/NFPA 54; and the latest edition of the American National Standard for Recreational Vehicles NFPA 1192. In Canada the installation should conform with the following standards:

### A. For installation in Recreational Vehicle

1. Gas - CSA standard CSA Z240.4.2-08 Installation Requirements for Propane Appliances and Equipment in Recreations Vehicles.
2. Electrical - CSA standard C22.2 No. 148/Z240.6.2-08/C22.2 No. 148-08 Electrical Requirements for Recreational Vehicles.
3. Plumbing - CSA standard CSA Z240.3.2 Plumbing Requirements for Recreational Vehicles.

### B. For installation in Mobile Housing

1. Gas - CSA standard CSA Z240.4.1 Installation Requirements for Gas Burning Appliances and Equipment in Mobile Homes.
2. Electrical - CSA standard CSA C22.1 Canadian Electrical Code Part 1.
3. Plumbing - CSA standard CSA Z240.3.1 Plumbing Requirements for Mobile Homes.

For installation in mobile housing, refer to Figure 18 for Direct Vent Terminal Clearances.

The appliance shall be disconnected from the gas supply piping system during any pressure testing of the system.

The appliance and its gas connections shall be leak tested before placing the appliance in operation.

All air for combustion must be supplied from outside the structure. Air for combustion must not be supplied from occupied spaces.

## INSTALLATION INSTRUCTIONS

Minimum clearance from combustible construction on sides, top, floor and rear = 0 inches. Provide room for access to rear of heater for servicing.

Provide an opening flush with floor in outer wall of coach as shown. Wall of coach should be framed as shown in Figure 1. Maintain inside dimensions listed below. Do not install on carpet unless the carpet is covered by a metal or wood shield covering the entire area underneath the water heater. If you prefer, you may cut away the carpet from this area.

### INSTALLATION USING HINGED DOOR

(See Figure 3 on page 4, for illustration)

- A. Position heater into framed opening as illustrated.
  - B. On mesa or yoder type sidewalls, flatten the wall area around the opening.
  - C. Caulk around framed opening (trailer skin) as illustrated.
  - D. Lay a bead of silicone caulking (or suitable caulking) around the inner edge of the control housing (top, bottom and sides). See detail "A" in Figure 3. This will seal frame to control housing.
  - E. Apply a bead of silicone caulking (or suitable caulking) around back side of door frame. See detail "A" in Figure 3. This will seal frame to coach skin.
  - F. Fit the door frame into control housing (over the caulking already applied) and pull frame tight to control housing using the three (3) No. 8-15 x 3 1/2" screws provided.
  - G. Push water heater into framed opening until back side of door frame (now attached to control housing) is against the side of the coach and firmly attach with screws around the perimeter of the frame.
- NOTE:** The two (2) holes in bottom of frame identified as "A" in Figure 3 are also used to mount door hinge to the frame.
- H. Install chocks, one on each side of water heater, as illustrated in Figure 2.
  - I. Attach door to frame as illustrated.
  - J. Close the door so that the door latch protrudes through the slot in the door. Turn latch 90 degrees to fasten door.
  - K. The module board on models SW4D, SW6D and SW6DE is not secured to the water heater. It is to be permanently mounted by the installer.

The module board must be mounted to where it is accessible for service yet out of way of children. It should be located in a place where it cannot be subjected to moisture, cleaning chemicals, flammable vapors and liquids, etc.

The board and all wiring to the board must be protected in order to prevent damages and accidental contact with these parts. The module board may be mounted with two (2) No. 6 x 5/8 screws or other suitable hardware.

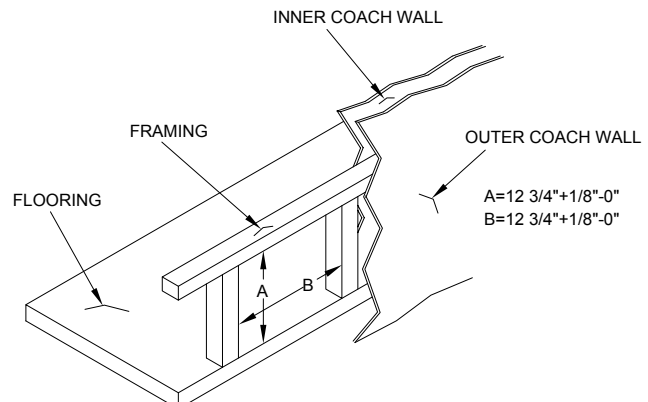


Figure 1

## INSTALLATION USING FLUSH MOUNT FRAME & DOOR

(See Figure 4 on page 4, for illustration)

- Position heater into framed opening as illustrated in Figure 4. Slide unit into opening until the front of the control housing is flush with the exterior coach skin.
  - Secure the control housing to the coach wall (framed opening) at the top and sides of control housing compartment using screws or other suitable fasteners. Recess the screws or fasteners back far enough from the front edge of control housing (approximately 1 1/2") in order to clear the flange on door frame. The door frame, when installed, must not overlap onto screw or other fastener head. If due to the wall thickness, it is not possible to secure the water heater without covering the fastener head with the door frame, it is important to not over tighten the fastener and distort the control housing. Over tightening of the fastener may cause water heater leaks between the control housing and the door frame.
- NOTE:** Caulk around screw or fastener heads to assure water tight seal.
- Install chocks, one on each side of water heater, as illustrated in Figure 2.
  - On mesa or yoder type sidewalls, flatten the wall area around the opening.
  - Caulk around framed opening (trailer skin) as illustrated in Figure 4.
  - Caulk around door frame using 2 beads of silicone caulking (or suitable caulking) - one on flange to seal to control housing and one around back side of frame to seal to coach skin. (See detail A in Figure 4).
  - Insert door frame into control housing and secure with three (3) No. 8-15 x 3 1/2" screws provided.
  - To install door, place the two holes in the bottom of the door over the door pins on the frame. Close the door so that the latch protrudes through the slot in the door. Turn latch 90 degrees to fasten door.
  - The module board on models SW4D, SW6D and SW6DE is not secured to the water heater. It is to be permanently mounted by the installer.

The module board must be mounted to where it is accessible for service yet out of way of children. It should be located in a place where it cannot be subjected to moisture, cleaning chemicals, flammable vapors and liquids, etc. The board and all wiring to the board must be protected in order to prevent damages and accidental contact with these parts. The module board may be mounted with two (2) No. 6 x 5/8 screws or other suitable hardware.

## MAKING ELECTRICAL CONNECTIONS

### 12 VOLTS D.C. (See Figure 5)

- Applicable to following models: SW4D, SW6D, SW6DE, SW6DM and SW6DEM.
- Refer to Figure 3 for location of D.C. junction box on models SW4D, SW6D and SW6DE. Refer to Figure 8 and 9 for location of D.C. junction box on models SW6DM and SW6DEM.
- The electrical connections must be made in accordance with local codes and regulations. In the absence of local codes and regulations, refer to the latest edition of the National Electrical Code NFPA 70.

In Canada, the electrical installation should conform with CSA standard Z240.6.2-08/C22.2 No. 148-08 Electrical Requirements for Recreational Vehicles and CSA C22.1 Canadian Electrical Code Part 1 when installing the unit in recreational vehicles and mobile homes respectively.

- Make the 12 Volt D.C. electrical connections following the wiring diagram illustrated in Figure 5.

If the power supply is to be from a convertor, we recommend that the converter system be wired in parallel with the battery. This will serve two purposes:

- Provide a constant voltage supply
- Filter any A.C. spikes or volt surges

We recommend insulated terminals be used for all electrical connections.

## MAKING ELECTRICAL CONNECTIONS

### 120 VOLTS A.C. (See Figure 6)

- Applicable to following models SW6DE and SW6DEM.
- Refer to Figure 4 for location of A.C. junction box on model SW6DE. Refer to Figure 9 for A.C. junction box on model SW6DEM.
- The electrical connections must be made in accordance with local codes and regulations. In the absence of local codes and regulations, refer to the latest edition of the National Electrical Code NFPA 70.

In Canada, the electrical installation should conform with CSA standard Z240.6.2-08/C22.2 No. 148-08. Electrical requirements for Recreational Vehicles and CSA C22.1 Canadian Electrical Code Part 1 when installing the unit in recreational vehicles and mobile homes respectively.

- Check rating plate and wiring diagram (Figure 6) before proceeding. Install a fused safety switch or circuit breaker of adequate capacity between heater and electrical power source. Attach the black and white wires from the fused switch or breaker to corresponding colored wires in heater junction box. A green wire from a well grounded source must be attached to the green nut in the junction box.

**CAUTION:** Before applying the 120 VAC power to the water heater junction box, be sure the switch for electric element is in the "OFF" position.

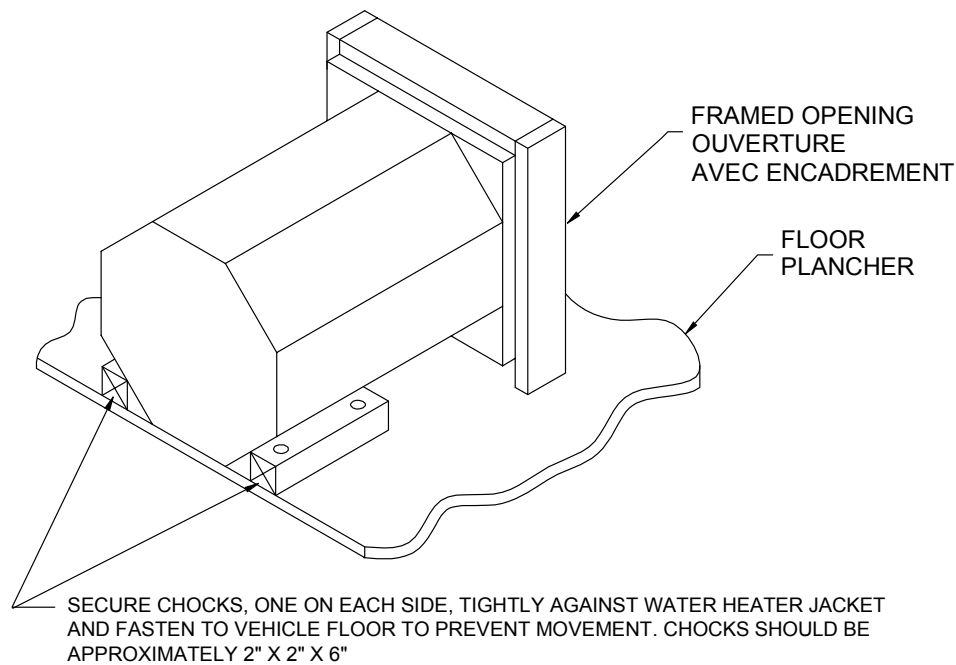
**WARNING!** Before the switch for the electric element is turned to the "ON" position, the water heater tank must be filled with water. See "Safety Warnings" and "Operating Instructions for Units with Electric Elements".

## MAKING WATER CONNECTIONS

- Water connections are made at the rear of the water heater. Refer to Figure 7 for all models except SW6DM and SW6DEM. For SW6DM and SW6DEM, refer to Figure 8 or 9. Connect the hot and cold water lines to the 1/2" female pipe fitting provided on rear of tank. These fittings are marked "HOT" and "COLD". **NOTE:** Inside each fitting is a plastic fill tube. Its purpose is to enhance water circulation. **DO NOT REMOVE PLASTIC FILL TUBE.**

**IMPORTANT:** Use a pipe thread compound suitable for potable water or pipe thread tape on all connections to assure they will not leak.

## WATER HEATER AS VIEWED FROM INSIDE R.V. CHAUFFEE-EAU VU DEPUIS L'INTÉRIEUR DU R.V.



INSTALLER UNE CALE DE CHAQUE CÔTE EN CONTACT AVEC LA CHEMISE DU CHAUFFEE-EAU. FIXER LES CALES AU PLANCHER POUR QU'ELLES NE PUISSENT BOUGER. UTILISER DES CALES DE 2PO X 2PO X 6PO ENVIRON.

Figure 2

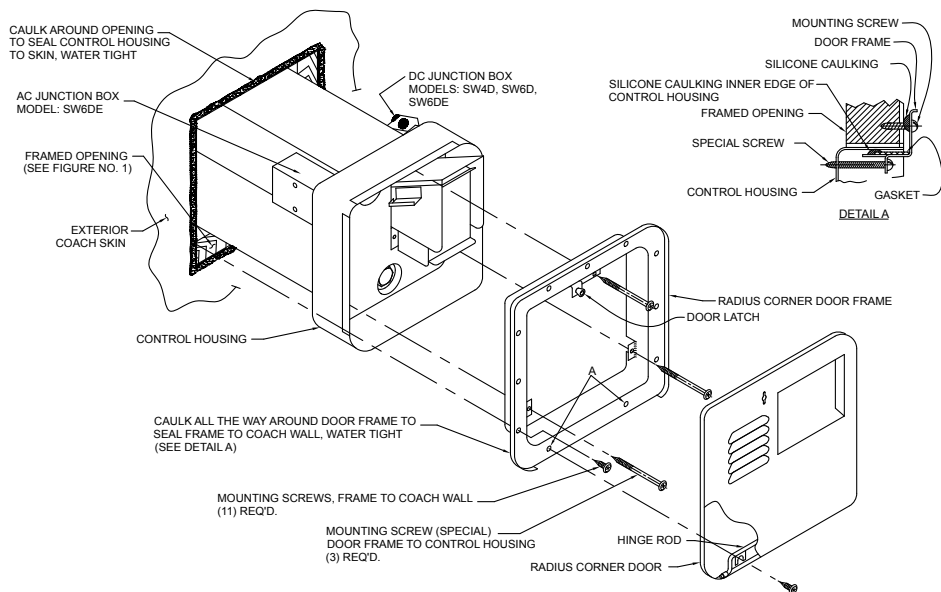


Figure 3

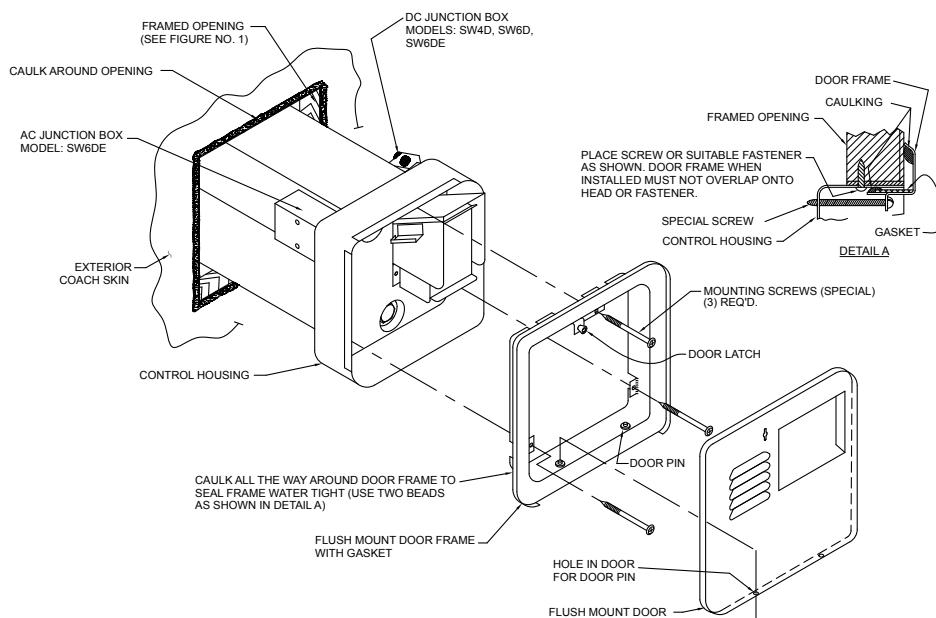


Figure 4

B. For ease of removal, it is suggested that a pipe union be installed in each water line.

C. Fill tank with water. Open both hot and cold water faucets to expel air from tank. When tank is filled and water flows from faucets, close both faucets and check all connections for leaks.

**CAUTION:** If you use air pressure to check for leaks, the pressure must not exceed 30 PSI in accordance with NFPA 1192.

**NOTE:** After leak testing, drain water from tank.

### MAKING GAS CONNECTIONS

A. Connect a 3/8" gas supply line to the 3/8 flare fitting at gas valve located in the control housing. When making the gas connection, hold the gas fitting on the valve with a wrench when tightening the flare nut. Failure to hold fitting secure could result in a gas leak due to fitting being damaged. **NOTE:** It will be necessary to remove the grommet from the control housing, make the gas connection at the valve, then reinstall grommet.

**WARNING!** It is imperative that grommet and gas line through grommet be caulked air tight. If not tightly sealed, moisture and potential harmful flue products could vent through opening and into living area of trailer. (See Figure 10.)

B. Turn on gas and check all fittings and connections for leaks, using a soap and water solution. Correct even the slightest leak immediately.

**WARNING!** Do not use an open flame to check for leaks!

### INSTALLATION OF MOTOR AID HEAT EXCHANGER

A. Place copper "Y"s in heater as shown in Figure 11.

B. Secure hoses to "Y"s with hose clamps.

C. Attach hose from motor-aid heat exchanger to "Y"s.

D. Secure hoses to motor-aid and "Y"s with clamps.

E. Check all connections for water leaks and proper water circulation through motor-aid heat exchanger, with engine running.

The system should be checked annually for deterioration of heater hose and hose connections. Replace as needed.

### SAFETY INFORMATION FOR YOUR SAFETY READ BEFORE LIGHTING

**WARNING!** If the user of this appliance fails to maintain it in the condition in which it was shipped from the factory or if the appliance is not used solely for its intended purpose or if appliance is not maintained in accordance with the instruction in this manual, then the risk of a fire and/or the production of carbon monoxide exists which can cause personal injury, property damage or loss of life.

## OPERATING AND LIGHTING INSTRUCTIONS

**WARNING!** If you do not follow these instructions exactly, a fire or explosion may result causing property damage, personal injury or loss of life.

**WARNING:** Before operating water heater, be sure tank is filled with water. See "Safety Warnings".

- A. This appliance does not have a pilot. It is equipped with an ignition device which automatically lights the burner. Do not try to light the burner by hand.
- B. BEFORE LIGHTING smell all around the appliance area for gas. Be sure to smell next to the floor because some gas is heavier than air and will settle on the floor.

### WHAT TO DO IF YOU SMELL GAS

- Do not try to light any appliance.
  - Do not touch any electric switch.
  - Do not use any phone in your building.
  - Immediately call your gas supplier from a neighbor's phone. Follow the gas supplier's instructions.
  - If you cannot reach your gas supplier, call the fire department.
- C. This is an automatic gas valve, no adjustments are necessary. Do not attempt to repair the gas valve. This may result in a fire or explosion.
  - D. Do not use this appliance if any part has been under water. Immediately call a qualified service technician to inspect the appliance and to replace any part of the control system and any gas control which has been under water.
  - E. Before operating water heater, check the location of the vent to make sure it will not be blocked by the opening of any door on the trailer. If it can be blocked, do not operate the water heater with the door open.

## OPERATING INSTRUCTIONS

1. STOP! Read the safety information provided.
  2. Turn off all electric power to the appliance.
  3. Turn "OFF" gas supply.
  4. Wait five minutes for gas to clear the area. If you smell gas then STOP! Follow instructions in item B of the **SAFETY INFORMATION**. If you don't smell gas, go to next step.
  5. Turn "ON" gas supply.
  6. Turn on electrical power to the appliance.
  7. Turn switch that operates the water heater to "ON" position. The switch is illustrated in Figure 12. Your Switch may be different in appearance and is located somewhere inside the RV. If the burner does not light, the system will automatically attempt two more tries for ignition before lock-out. When light remains illuminated, the system is in lockout. NOTE: Each ignition cycle will have a 15 second purge before spark cycle if system is a three try system.
  8. If lockout occurs before main burner lights, the red light on the switch will illuminate indicating ignition did not occur. To reset, turn switch to "OFF", wait five seconds and turn switch to "ON" position. The first start-up of the heater may require several ignition cycles before all air is purged from the gas lines.
- If the burner will not come on, the following items should also be checked before calling a service person.
- A. Switch turned off.
  - B. Gas supply to heater is empty or turned off.
  - C. Reset button on ECO is tripped. (See Figure 14)
9. If burner fails to light and/or electric element does not operate, call a Suburban service center or a local RV service agency.

## OPERATING INSTRUCTIONS FOR UNITS WITH ELECTRIC ELEMENT

Electric water heaters are designed to operate with a minimum amount of service problems; however, proper operation and care is essential.

By far the most common trouble with electric water heaters results from energizing the water heater before it is filled with water. Even brief operation of the electric element without water in the tank will burn-out the electric heating element.

To energize the electric heating element, turn the switch to "on". The switch is located behind the water heater door in the lower left corner of the control housing. (See Figure 13) The water temperature will be regulated by the thermostat.

## THERMOSTAT AND MANUAL RESET

**MODELS: SW4D, SW6D, and SW6DM (See Figure 14)**

The model water heaters listed above are equipped with a high temperature limit as a cut-off device. Temperature above 180°F will cause manual reset button to trip shutting down main burner.

To activate burner, the water temperature must be below 110°F, push reset button to re-activate burner. ECO reset button for 12 volt DC spark ignition is located behind grommet (A). Push in on grommet (A) to reset system.

## THERMOSTAT AND MANUAL RESET

**MODELS SW6DE and SW6DEM (See Figure 15)**

The model water heaters listed above are equipped with a high temperature limit as a cut-off device. Temperature above 180°F will cause manual reset button to trip shutting down the electric element.

To activate element, the water temperature must be below 110°F, push reset button to re-activate the electric element. ECO reset button for 120 volts AC electric element is located behind grommet (B). Push in on grommet (B) to reset system.

## HIGH ALTITUDE DERATION

Suburban water heaters are certified by nationally recognized testing laboratories for operation without modifications at altitudes up to 4,500 feet. Operation above this elevation may require derating by 4 percent for every 1,000 feet above sea level. For example, at 8,000 feet, the water heater should be derated approximately 32 percent.

If the unit is not properly derated, lack of sufficient oxygen for combustion may produce improper burner operation. Pilot outage caused by burner lift-off or sooting from a yellow burner may occur indicating the possibility of carbon monoxide. You may also notice a lack of efficiency in heating the water because of incomplete combustion of the burner at these higher altitudes.

Consult with the local gas company, your dealer, an RV service agency or Suburban Manufacturing Company for proper derating of the unit. Change-out of the orifice (derating) should be done by the dealer or a qualified service agency.

**NOTE:** It is important that once the unit has returned to lower elevation (below 4,500 feet), this high altitude deration and pilot adjustments (if equipped) be reversed for proper operation of the unit.

## TO TURN OFF WATER HEATER

1. Turn switch to "OFF" position.
2. Turn off electrical power to the appliance.
3. Turn off gas supply.
4. If vehicle is to be stored or heater is going to be turned off while subject to freezing temperature, drain water heater. (See "Draining and Storage Instructions.")

## MAINTENANCE

**WARNING!** If the user of this appliance fails to maintain it in the condition in which it was shipped from the factory or if the appliance is not used solely for its intended purpose or if appliance is not maintained in accordance with the instructions in this manual, then the risk of a fire and/or the production of carbon monoxide exists which can cause personal injury, property damage or loss of life.

**WARNING!** For your safety, all repairs should be performed by your dealer or a qualified service person.

- A. Main Burner: Do not allow the burner to burn with a yellow flame, because sooting will occur. (See Safety Warnings). If the burner flame is yellow and has an erratic pattern, shut unit down and contact a qualified service agency. Do not continue operating unit with improper burner flame. (See Figure 16 for correct and incorrect burner flame appearance.)
- B. Periodically inspect unit for soot. If soot is present anywhere on water heater, immediately shut unit down and contact your dealer or a qualified service person. Soot is a sign of incomplete combustion and must be corrected before operating water heater. Areas to check would include:
  1. Check for an obstruction in burner or the flue box.
  2. Check the screen in the door to see that no foreign material has accumulated to prevent flow of combustion and ventilating air.
  3. Check to be sure there is no flame present at burner orifice or burner whenever main gas valve is closed. This can be checked by turning the OFF/ON switch to the "OFF" position.
- C. Frequent checks should be made of the grommet on the gas inlet to assure tight seal. (See "Making Gas Connections").
- D. Periodically check wiring and wire connection to be sure wiring is not damaged/frayed and that all terminals and connections are tight and in compliance with codes (See "Making Wire Connections").

## DRAINING AND STORAGE INSTRUCTIONS

If RV is to be stored during winter months, the water heater must be drained to prevent damage from freezing.

1. Turn off electrical power to water heater either at the switch from the electrical element or a breaker.
2. Shut off gas supply to water heater.
3. Turn off pressure pump on water system.
4. Open both hot and cold water faucets.
5. Remove anode rod from tank.
6. Follow RV manufacturer's instructions for draining entire water system.

**NOTE:** Be certain to refill water heater with water and remove all air from tank and lines before re-lighting or before turning on electrical power.

## WINTERIZING

If your water heater plumbing system is equipped with a bypass kit, use it to close off the water heater, drain the water heater completely and leave the water heater closed off (out of the system) in the bypass position *particularly* if you are introducing antifreeze into the plumbing system. Antifreeze can be very corrosive to the anode rod creating premature failure and heavy sediment in the tank. If the plumbing system is not equipped with a bypass kit, and you intend to winterize by adding antifreeze to the system, remove the anode rod (storing it for the winter) and replace it with a 3/4" drain plug.

## ANODE PROTECTION

The tank in this water heater is protected by a magnesium or aluminum anode to prolong the life of the tank by absorbing the corrosive action of hot water. Under normal use, the anode rod will deteriorate and because of this, we recommend it be replaced yearly. **NOTE:** Water with high levels of iron and/or sulfate will increase the rate of deterioration; therefore, more frequent replacement may be required. If anode rod is mostly eaten away, replace it with a new one. (See Figure 17)

To prevent a water leak when replacing the anode rod, a pipe thread sealant approved for potable water (such as Teflon Tape) must be applied to the threads of the anode rod. Proper application of a thread sealant will not interfere with the anode's tank protection.

Operating the water heater without proper anode protection will decrease tank life and will void your warranty on the tank. **NOTE:** Tank is drained by removing anode rod (See "Drain and Storage" instructions).

To extend anode life, drain water from tank whenever RV is not being used. Avoid any extended time of non use with water in tank.

Also, refer to section on winterizing.

**WARNING!** Do not replace the anode rod with any non-Suburban accessory part, such as an "add-on" electric heating element. Items such as these are not approved to be installed in Suburban products. They could create an unsafe condition and will also void all warranties.

## ODOR FROM HOT WATER SYSTEM

Odor from the hot water system is not a service problem and many water supplies contain sufficient amounts of sulphur to produce an odor. The odor is similar to rotten eggs and is often referred to as "sulphur water". It is not harmful - only unpleasant to smell. Sulphur water can be caused by a chemical action or by bacteria. The solution to eliminate is chlorination of the water system. Add about six (6) ounces of chlorinated common household liquid bleach to each 10 gallons in the water tank. Then run the chlorinated water throughout the system, opening each faucet one at a time until you smell the chlorine. Let the RV sit for a few days and the chlorine should take care of the problem. Then you will need to take care of the chlorine. Remove the chlorine by flushing the system with fresh water. This may take several attempts. You may consider adding a filtering system that removes chlorine and prevents sulphur water. If the sulphur or rotten egg smell continues, flush the system once again as described above and replace anode rod as necessary.

## PRESSURE RELIEF VALVE

The temperature and pressure relief valve is designed to open if the temperature of the water within the heater reaches 210°F, or if the water pressure in the heater reaches 150 pounds. Recreational vehicle water systems are closed systems and during the water heating cycle the pressure build-up in the water system will reach 150 pounds. When this pressure is reached, the pressure relief valve will open and water will drip from the valve. This dripping will continue until the pressure is reduced to below 150 pounds, and the valve closes. This condition is normal and does not indicate a defective relief valve.

**WARNING!** Do not place a valve between the relief valve and the tank. Do not plug the relief valve under any circumstances.

## WATER WEeping OR DRIPPING FROM PRESSURE RELIEF VALVE

You may experience water weeping or dripping from your water heater's Pressure and Temperature (P & T) Relief Valve when your water heater is operating. Water weeping or dripping from the P & T Valve does not always mean the P & T Valve is defective. As water is heated, it expands. The water system in a recreational vehicle is a closed system and does not allow for the expansion of heated water. When the pressure of the water system exceeds the relieving point of the P & T Valve, the valve will relieve the excess pressure.

Suburban recommends that a check valve not be installed directly at the inlet to the water heater tank. This will increase weeping of the pressure relief valve.

**WARNING!** Do not remove or plug the relief valve.

One way to reduce the frequency of this occurrence is to maintain an air pocket at the top of the water heater tank. This air pocket will form in the tank by design. However, it will be reduced over time by the everyday use of your water heater.

To replenish this air pocket:

1. Turn off water heater.
  2. Turn off cold water supply line.
  3. Open a faucet in the RV.
  4. Pull out on the handle of the Pressure Relief (P & T) Valve and allow water to flow from the valve until it stops.
  5. Release handle on P & T Valve - it should snap closed.
  6. Close faucet and turn on cold water supply; as the tank fills, the air pocket will develop.
- Repeat this procedure as often as needed to reduce the frequency of the weeping of the P & T Valve. If the weeping persists after following this procedure, you may elect to install an expansion or accumulator tank in the cold water line between the tank and check valve to relieve the pressure caused by thermal expansion. Contact your local dealer for assistance.

## REMOVING WATER HEATER

1. Shut off gas supply and disconnect gas supply line from water heater.
2. On all Electric Models, disconnect 120 V.A.C. supply at junction box mounted on heater.
3. On all DSI Models, disconnect 12 V.D.C. power supply at junction box on heater.
4. On Models SW4D, SW6D and SW6DE disconnect all wires at module board.
5. Shut off water supply. Drain water from tank following instructions under "Draining and Storage".
6. Disconnect hot and cold water lines from water heater.
7. Remove screws or nails securing control housing to framed opening.
8. Slide heater out. To reinstall, follow instructions in manual under "Installation Instructions".

## PARTS AND SERVICE

Contact a conveniently located recommended Suburban Service Center. Describe to them the nature of your problem, make an appointment, if necessary, and provide for delivery of your RV with the appliance installed.

To obtain information on locating a local service agency, contact:

AIRXCEL, Inc., Suburban Division  
Customer Service Department  
676 Broadway Street  
Dayton, TN 37321  
(423) 775-2131 Ext. 7101  
www.Airxcel.com

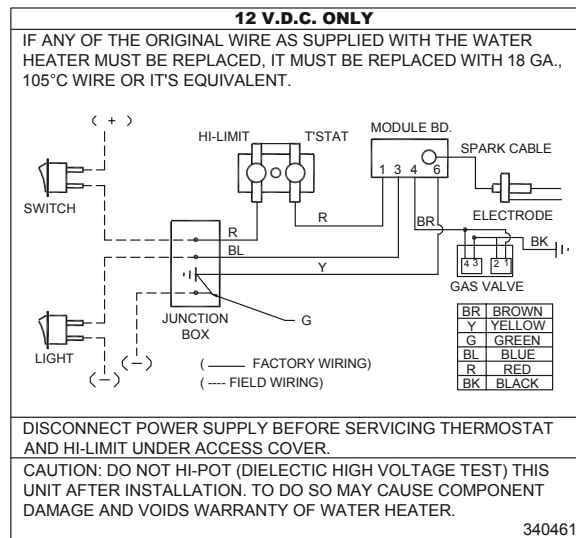


Figure 5

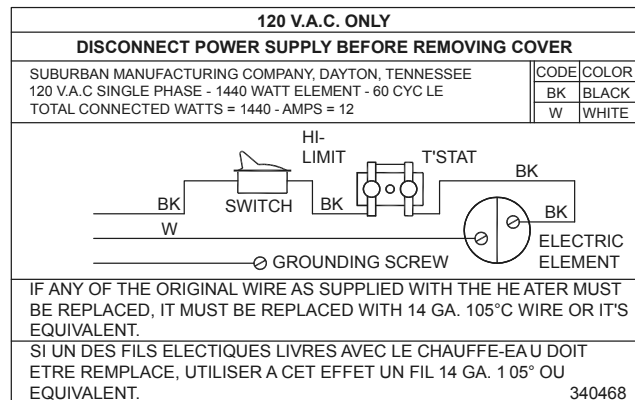


Figure 6

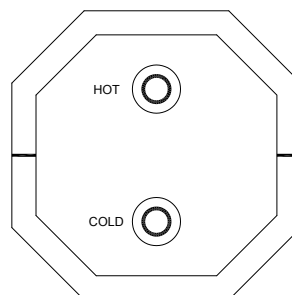


Figure 7

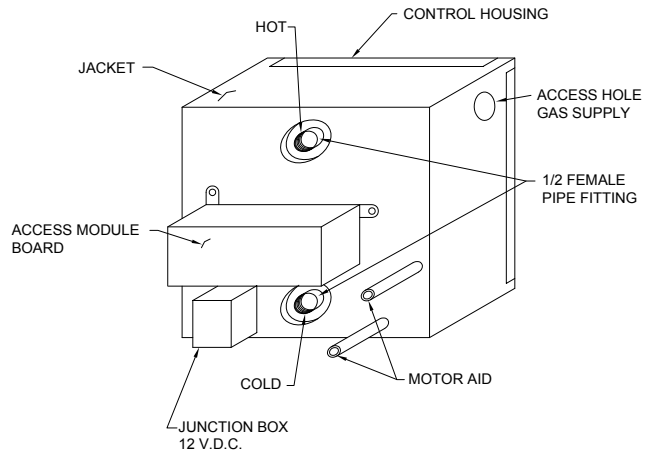


Figure 8

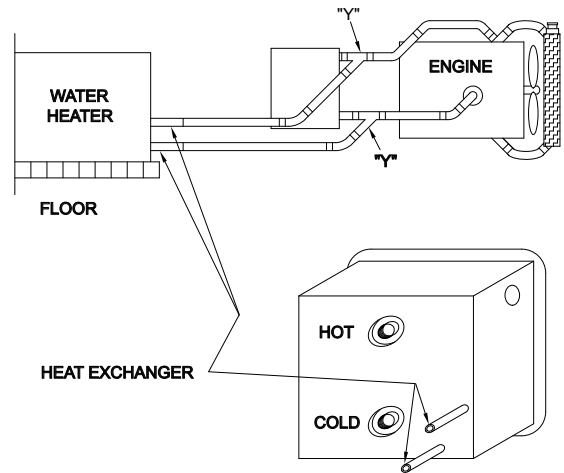


Figure 11

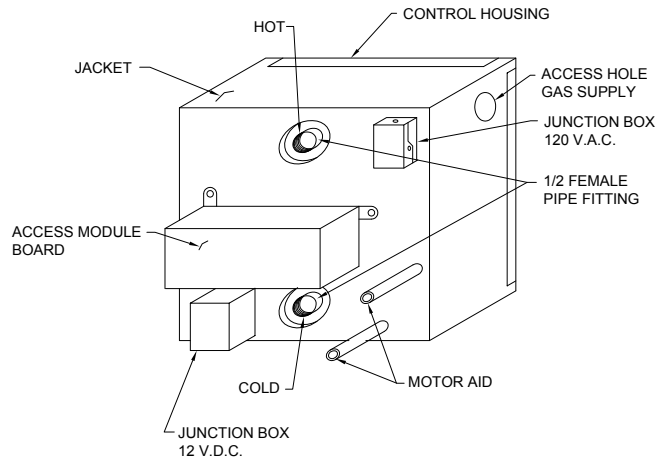


Figure 9

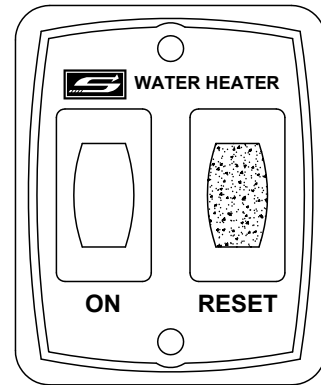


Figure 12

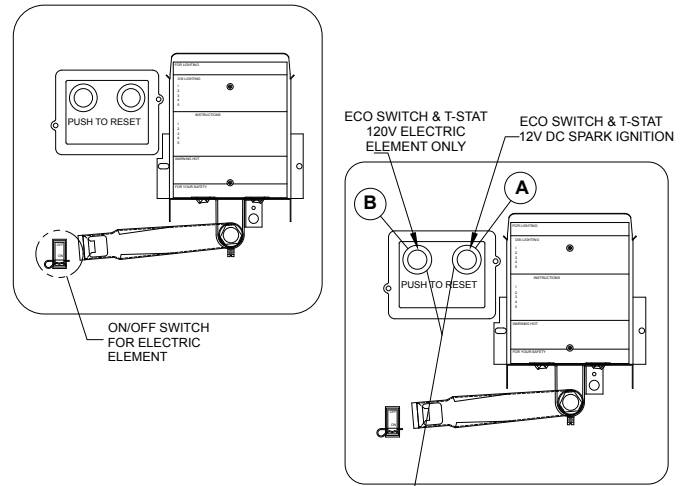


Figure 13

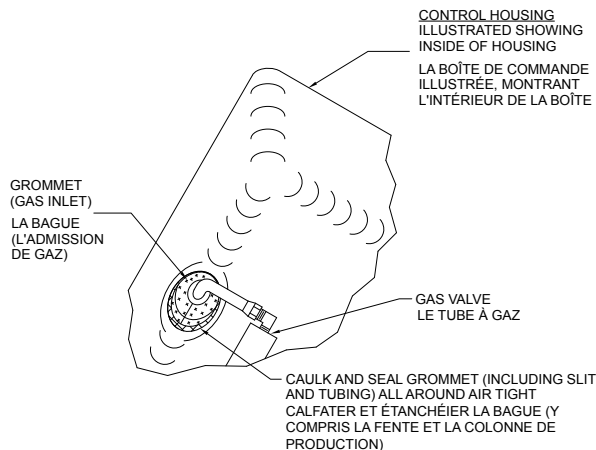


Figure 10

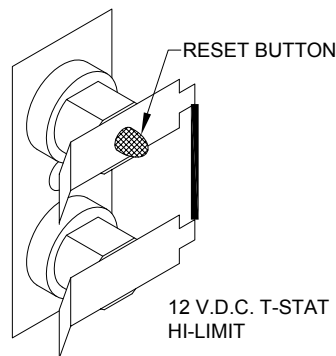


Figure 14

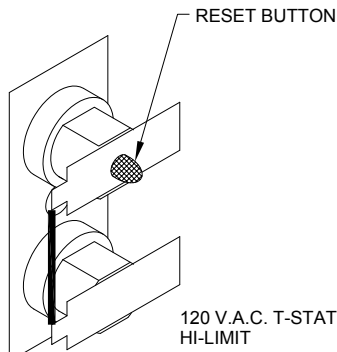


Figure 15

CORRECT  
CORRIGER

INCORRECT  
INEXACT

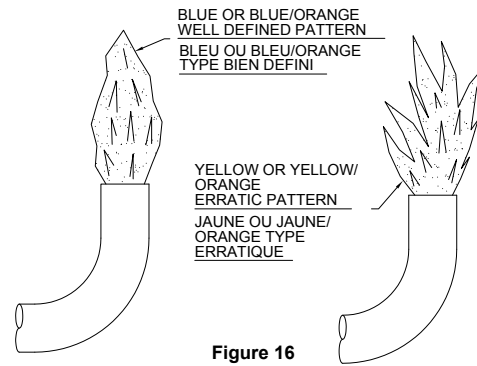


Figure 16

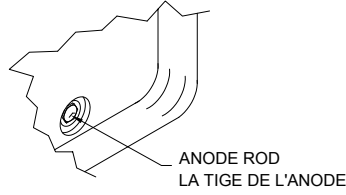
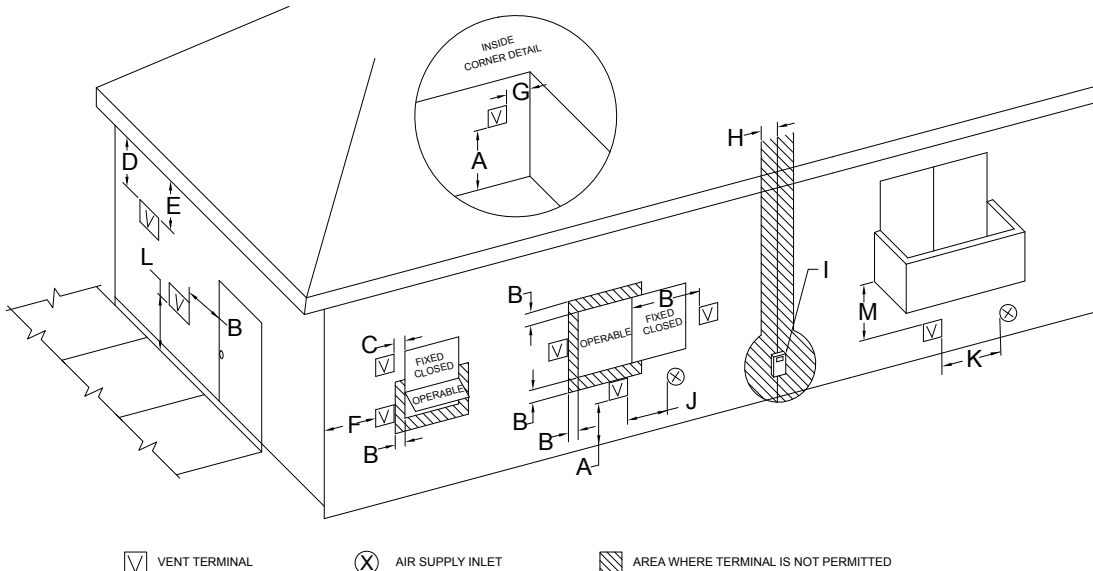


Figure 17



	CANADIAN INSTALLATIONS <sup>1</sup>		US INSTALLATIONS <sup>2</sup>	
A= CLEARANCE ABOVE GRADE, VERANDA, PORCH, DECK, OR BALCONY	12 INCHES (30cm)	12 INCHES (30cm)	J= CLEARANCE TO NONMECHANICAL AIR SUPPLY INLET TO BUILDING OR THE COMBUSTION AIR INLET TO ANY OTHER APPLIANCE.	12 INCHES (30cm)
B= CLEARANCE TO WINDOW OR DOOR THAT MAY BE OPENED	12 INCHES (30cm)	9 INCHES (23cm)	K= CLEARANCE TO A MECHANICAL AIR SUPPLY INLET	6 FEET (1.83m)
C= CLEARANCE TO PERMANENTLY CLOSED WINDOW	.	.	L= CLEARANCE ABOVE PAVED SIDEWALK OR PAVED DRIVEWAY LOCATED ON PUBLIC PROPERTY	7 FEET (2.13m) †
D= VERTICAL CLEARANCE TO VENTILATED SOFFIT LOCATED ABOVE THE TERMINAL WITHIN A HORIZONTAL DISTANCE OF 2 FT (61cm) FROM THE CENTER LINE OF THE TERMINAL	.	.	M= CLEARANCE UNDER VERANDA, PORCH, DECK, OR BALCONY	12 INCHES (30cm) *
E= CLEARANCE TO UNVENTILATED SOFFIT	.	.		
F= CLEARANCE TO OUTSIDE CORNER	.	.		
G= CLEARANCE TO INSIDE CORNER	.	.		
H= CLEARANCE TO EACH SIDE OF CENTER LINE EXTENDED ABOVE METER / REGULATOR ASSEMBLY	3 FEET (91cm) WITHIN A HEIGHT 15 FEET (4.57m) ABOVE THE METER / REGULATOR ASSEMBLY	.		
I= CLEARANCE TO SERVICE REGULATOR VENT OUTLET	3 FEET (91cm)	.		

Figure 18



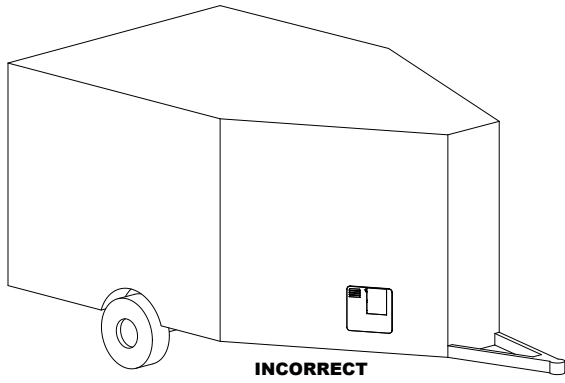


Figure 19

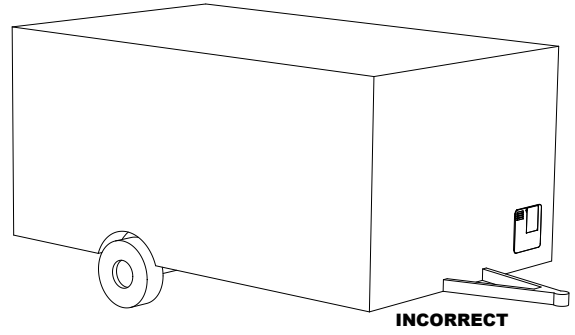


Figure 20

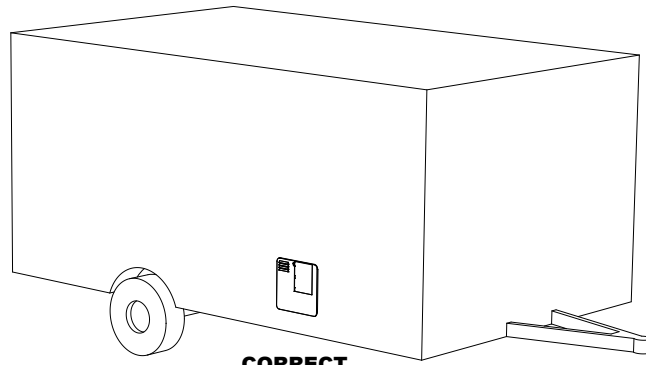


Figure 21

# TWO YEAR LIMITED WARRANTY

## SUBURBAN RECREATIONAL VEHICLE WATER HEATER

### TWO YEAR LIMITED WARRANTY

This Suburban product is warranted to the original purchaser to be free from defects in material and workmanship under normal use and maintenance for a period of two years from date of purchase whether or not actual use begins on that date. It is the responsibility of the consumer/owner to establish the warranty period. Suburban does not use warranty registration cards for its standard warranty. You are required to furnish proof of purchase date through a Bill of Sale or other payment records.

Suburban will replace any parts that are found defective within the first two years and will pay a warranty service allowance directly to the recommended Suburban Service Center at rates mutually agreed upon between Suburban and its recommended service centers. Replacement parts will be shipped FOB the shipping point within the Continental United States, Alaska and Canada to the recommended service center performing such repairs. All freight, shipping and delivery costs shall be the responsibility of the owner. The exchanged part or unit will be warranted for only the unexpired portion of the original warranty. Before having warranty repairs made, confirm that the service agency is a recommended service center for Suburban. DO NOT PAY THE SERVICE AGENCY FOR WARRANTY REPAIRS; SUCH PAYMENTS WILL NOT BE REIMBURSED.

Suburban reserves the right to examine the alleged defect in the water heater or component parts, and it is the owner's obligation to return the water heater and/or component parts to Suburban or its representative. When returning a water heater, it must include all component parts and the serial number plate. Returned component parts must be individually tagged and identified with the water heater's model number, serial number and date of installation.

For warranty service, the owner/user should contact the nearest recommended Suburban Service Center, advising them of the model and serial numbers (located on the water heater) and the nature of the defect. Transportation of the RV to and from the Service Center and/or travel expenses of the Service Center to your location is the responsibility of the owner/user. A current listing of recommended service center may be obtained from Suburban's website: [www.Airxcel.com](http://www.Airxcel.com). If you cannot locate a recommended service center locally, the service agency chosen to perform warranty repairs must contact our Service Department at 423-775-2131 for authorization before making repairs. Unauthorized repairs made will not be paid by Suburban.

### THREE YEAR LIMITED WARRANTY ON TANK

The inner tank is further warranted to be free from defects in material and workmanship during the third year after the date of original purchase. A replacement water heater will be provided under the same conditions as stated in the two year warranty EXCEPT no labor reimbursement will be provided.

### LIMITATION OF WARRANTIES

ALL IMPLIED WARRANTIES (INCLUDING IMPLIED WARRANTIES OF MERCHANTABILITY) ARE HEREBY LIMITED IN DURATION TO THE PERIOD FOR WHICH EACH LIMITED WARRANTY IS GIVEN. SOME STATES DO NOT ALLOW LIMITATIONS ON HOW LONG AN IMPLIED WARRANTY LASTS SO THE ABOVE LIMITATIONS MAY NOT APPLY TO YOU. THE EXPRESSED WARRANTIES MADE IN THIS WARRANTY ARE EXCLUSIVE AND MAY NOT BE ALTERED, ENLARGED, OR CHANGED BY ANY DISTRIBUTOR, DEALER OR OTHER PERSON WHOMSOEVER.

### SUBURBAN WILL NOT BE RESPONSIBLE FOR:

1. Normal maintenance as outlined in the installation, operating and service instructions owner's manual including cleaning of component parts and cleaning or replacement of the burner orifice. Any water damage arising, directly or indirectly, from any defect in the water heater or component parts or from its use.
2. Initial checkouts and subsequent checkouts which indicate the water heater is operating properly, or diagnosis without repair.
3. Damage or repairs required as a consequence of faulty or incorrect installation or application not in conformance with Suburban instructions.
4. Failure to start and/or operate due to loose or disconnected wires; water or dirt in controls, fuel lines and gas tanks; improper gas pressure; low voltage.
5. Cleaning or adjustment of components; electrode, burner tube, pilot and thermocouple.
6. Costs incurred in gaining access to the water heater.
7. Parts or accessories not supplied by Suburban.
8. Freight charges incurred from parts replacements.
9. Damage or repairs needed as a consequence of any misapplication, abuse, unreasonable use, unauthorized alteration, improper service, improper operation or failure to provide reasonable and necessary maintenance.
10. Suburban products whose serial number has been altered, defaced or removed.
11. Suburban products installed or warranty claims originating outside the Continental U.S.A., Alaska, Hawaii and Canada.
12. Damage as a result of floods, winds, lightning, accidents, corrosive atmosphere or other conditions beyond the control of Suburban.
13. ANY SPECIAL, INDIRECT OR CONSEQUENTIAL PROPERTY, ECONOMIC OR COMMERCIAL DAMAGE OF ANY NATURE WHATSOEVER

Some states do not allow the exclusion of incidental or consequential damages, so the above limitation may not apply to you.

NO REPRESENTATIVE, DEALER, RECOMMENDED SERVICE CENTERS OR OTHER PERSON IS AUTHORIZED TO ASSUME FOR SUBURBAN MANUFACTURING COMPANY ANY ADDITIONAL, DIFFERENT OR OTHER LIABILITY IN CONNECTION WITH THE SALE OF THIS SUBURBAN PRODUCT.

This warranty gives you specific legal rights, and you may also have other rights which vary from state to state.

### IF YOU HAVE A PRODUCT PROBLEM

**FIRST:** If your RV has its original water heater and is still under the RV manufacturer's warranty, follow the steps suggested by your dealer or manufacturer of the RV.

**SECOND:** Contact a conveniently located recommended Suburban Service Center. Describe to them the nature of your problem, make an appointment, if necessary, and provide for delivery of your RV to the selected service center.

**THIRD:** For the location of the nearest Service Center, refer to the listing provided or contact:

AIRXCEL, INC. - SUBURBAN DIVISION  
Customer Service Department  
676 Broadway Street  
Dayton, Tennessee 37321  
(423) 775-2131, Ext. 7101  
[www.Airxcel.com](http://www.Airxcel.com)

#### FOR FUTURE REFERENCE, YOU SHOULD RECORD THE FOLLOWING INFORMATION:

MODEL NUMBER: \_\_\_\_\_

SERIAL NUMBER: \_\_\_\_\_

STOCK NUMBER: \_\_\_\_\_

DATE OF PURCHASE: \_\_\_\_\_



DATE D'ACHAT:	
NUMBRE D'IMAGES:	
NUMERO DE SERIE:	
NUMÉRO DE MODÈLE:	
<b>POUR RÉFÉRENCE ULTÉRIEURE, VOUS DEVEZ ENREGISTRER LES INFORMATIONS SUIVANTES:</b>	

www.airxcel.com  
(423) 775-2131, Ext. 7101  
Dayton, Tennessee 37321

676 Broadway Street  
Customer Service Department  
Suburban Manufacturing Company

**TROISIÈME MENTIONS:** Pour localiser le centre de service de réparation le plus proche, référez-vous à la liste fournie ou contactez.

**DEUXIÈME MENTIONS:** Contacter un centre de service Suburban recommandé peu éloigné. Décrire la nature du problème au technicien, prendre rendez-vous si c'est nécessaire, et organiser la livraison de votre véhicule réparé au centre de service choisi.

**TOUT D'ABORD:** Si le véhicule réparé est encore équipé de son chauffe-eau d'origine et est encore couvert par la garantie de son constructeur, procéder conformément aux instructions de concessionnaire ou constructeur de votre véhicule réparé.

**SI UN PROBLÈME SE MANIFESTE**

Cette garantie vous confère des droits juridiques spécifiques; vous pouvez également jouer d'autres droits, variables d'une province à une autre.

SUBURBAN.

AUCUN REPRÉSENTANT, CONCESSIONNAIRE, DES CENTRES DE SERVICE RECOMMANDÉ OU AUTRE PERSONNE N'EST AUTORISÉ À ASSUMER AU NOM DE SUBURBAN MANUFACTURING COMPANY DES OBLIGATIONS ADDITIONNELLES OU DIFFÉRENTES EN RAPPORT AVEC LA VENTE DE CE PRODUIT.

Certains provinces n'admettent pas l'exclusion des dommages secondaires ou indirects; par conséquent, la limitation ci-dessus peut ne pas vous être applicable.

13. DOMMAGES SECONDAIRES OU INDIRECTS MATÉRIELS, ÉCONOMIQUES OU COMMERCIAUX, QUELLE QU'EN SOIT LA NATURE.

12. Dommages imputables à inondation, vent, foudre, accident, atmosphère corrosive et autres situations que Suburban ne peut contrôler.

11. Produits Suburban installés ou utilisés hors des zones géographiques suivantes: États continentaux des E.-U., Alaska, Hawaii et Canada.

10. Produits Suburban dont le numéro de série a été modifié, éliminé ou rendu illisible.

9. Dommages ou réparations imputables à toute utilisation impropre, irraisonnée ou abusive, modification non autorisée, travaux d'entretien incorrects, utilisation incorrecte ou carence d'entretien.

8. Frais de transport afférents au remplacement de pièces.

7. Pièces ou accessoires non fournis par Suburban.

6. Frais rendus nécessaires pour l'accès à l'appareil.

5. Nettoyage ou réglage pour composants, électrode, tube de brûleur, brûleur de veille et thermocouple.

4. Impossibilité de mise en marche et/ou de fonctionnement imputable à une installation déficiente ou à une application non conforme aux instructions de Suburban. Commande, canalisations de combustible et réservoir de gaz; pression de gaz incorrecte; tension électrique insuffisante.

3. Dommages ou réparations imputables à une installation déficiente ou à une application non conforme aux instructions de Suburban.

2. Inspection initiale et inspections ultérieures indiquant que l'appareil fonctionne correctement, ou diagnostic sans réparation.

1. Entretien normal, tel qu'il est défini dans les instructions d'installation, utilisation et entretien du manuel de l'utilisateur, ceci incluant le nettoyage des composants et le nettoyage ou remplacement du brûleur. Les dégâts provoqués par l'eau, découplant directement ou indirectement d'un défaut du chauffe-eau ou d'un composant, ou de son utilisation.

### SUBURBAN N'ACCEPTERA AUCUNE RESPONSABILITÉ AU TITRE DE:

MODIFIÉES, ÉTENDUES OU PROLONGÉES PAR UN DISTRIBUTEUR, CONCESSIONNAIRE OU AUTRE PERSONNE.

LES GARANTIES EXPRESSES CONFÉRÉES PAR LE TEXTE QUI PRÉCÈDE SONT LES SEULES GARANTIES ACCORDÉES, ET ELLES NE PEUVENT ÊTRE LIMITÉES À LA DURÉE DE CHAQUE PÉRIODE DE GARANTIE ACCORDÉE. CERTAINES PROVINCES N'ADMETTENT PAS LA LIMITATION DE LA DURÉE DE VALIDITÉ DES GARANTIES IMPLICITES. PAR CONSÉQUENT, LES LIMITATIONS CI-DESSUS PEUVENT NE PAS VOUS ÊTRE APPLICABLES.

LA PÉRIODE DE VALIDITÉ DES GARANTIES IMPLICITES (CECI INCLUANT LES GARANTIES IMPLICITES DE QUALITÉ MARCHANDE) EST EXPRESSÉMENT LIMITÉE À LA DURÉE DE CHAQUE PÉRIODE DE GARANTIE ACCORDÉE. CERTAINES PROVINCES N'ADMETTENT PAS LA LIMITATION DE LA DURÉE DE VALIDITÉ DES GARANTIES IMPLICITES.

### LIMITATION DES GARANTIES

Suburban ne remboursera aucun frais de main-d'œuvre.

Le réservoir interne est également garanti comme étant exempt de vice de matériau ou de fabrication pendant une période de trois ans à compter de la date de l'acquisition initiale. Un chauffe-eau de remplacement sera fourni dans les mêmes conditions déjà indiquées pour la garantie de deux ans. À L'EXCEPTION QUE

### GARANTIE LIMITÉE SUR LE RÉSERVOIR - TROIS ANS

Suburban ne paie pas les réparations effectuées sans autorisation. Suburban n'exécute de travaux sous garantie que si vous contactez notre département de service au numéro 423-775-2131 avant d'effectuer les réparations pour obtenir une autorisation.

recréatif entre son domicile et le centre de service, ou les frais de déplacement du personnel du centre de service. On peut obtenir une liste récente des centres de service recommandés par Suburban à l'adresse: www.airxcel.com. Advvenant qu'il n'y ait pas de centre de service agréé local, le personnel du centre de service choisi pour l'exécution de travaux sous garantie doit contacter notre département de service au numéro 423-775-2131 avant d'effectuer les réparations pour obtenir une autorisation.

Pour obtenir les services nécessaires sous garantie, le propriétaire devrait contacter le plus proche centre de service Suburban recommandé, en mentionnant le numéro de modèle et le numéro de série (indiqués sur l'appareil), et la nature de l'anomalie. Le propriétaire/utilisateur doit assumer les frais de transport du véhicule

d'installation.

de retourner le chauffe-eau et/ou les composants à Suburban ou à son représentant. Un chauffe-eau retourné doit comprendre tous ses composants et la plaque signalétique. Des composants retournés indépendants doivent être étiquetés et identifiés avec le numéro de modèle et le numéro de série du chauffe-eau, et la date

Suburban se réserve le droit d'inspecter le chauffe-eau ou le composant incriminé pour en vérifier les déficiences; c'est au propriétaire qu'incombe l'obligation de retourner le chauffe-eau et/ou les composants à Suburban ou à son représentant. Un chauffe-eau retourné doit comprendre tous ses composants et la plaque

### RÉPARATIONS SOUS GARANTIE; CES FRAIS NE VOUS SERONT PAS REMBOURSÉS.

est un centre de service recommandé par Suburban. NE PAS PAYER DES FRAIS DE MAIN-D'OEUVRE AUX ÉTABLISSEMENTS DE RÉPARATION POUR DES

que pendant la fraction non écoutée de la période de garantie d'origine. Avant de faire effectuer des réparations sous garantie, vérifier que l'établissement de réparation en Alaska et au Canada. Le propriétaire devra assumer tous les frais de fret, expédition et livraison. Une pièce ou un composant remplacé ne bénéficie de la garantie

recherche seront expédiés F.-à-B. point d'expédition au centre de service Suburban recommandé effectuant les réparations dans les États continentaux des États-Unis, directement au centre de service Suburban recommandé, selon le tarif défini par accord mutuel entre Suburban et ses centres de service recommandés. Les pièces de

Au cours des deux premières années, Suburban remplacera toute pièce s'avérant être défectueuse, et versera une allocation de main-d'œuvre sous garantie pour sa garantie standard. Le propriétaire doit soumettre une preuve de la date d'achat, comme une facture ou un autre document attestant du paiement.

Ce produit Suburban est garanti au bénéfice du premier acquéreur comme étant exempt de vice de matériau ou de fabrication, lorsqu'il est soumis aux conditions normales d'utilisation et d'entretien, pendant une période de deux ans à compter de la date d'achat, que l'appareil soit ou non mis en service à cette date. C'est au

### GARANTIE LIMITÉE DE DEUX ANS

# SUBURBAN - CHAUFFE-EAU POUR VÉHICULE RÉCRÉATIF GARANTIE LIMITÉE DE DEUX ANNÉES

Figure 21

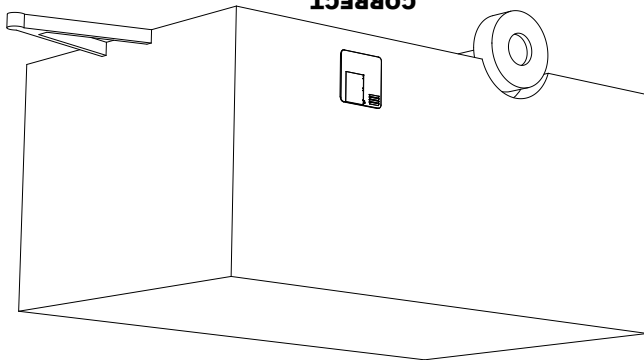


Figure 20

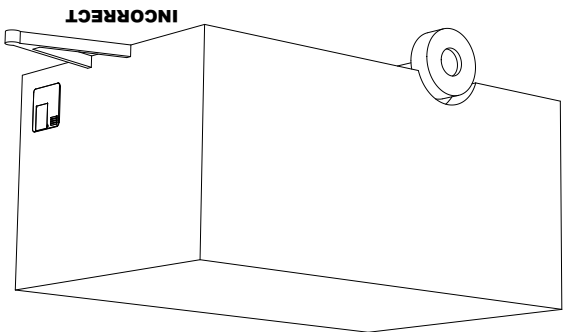


Figure 19

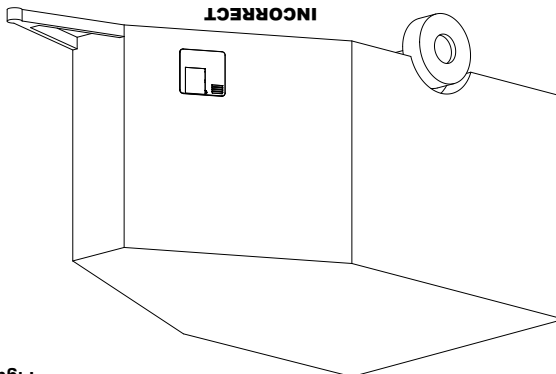
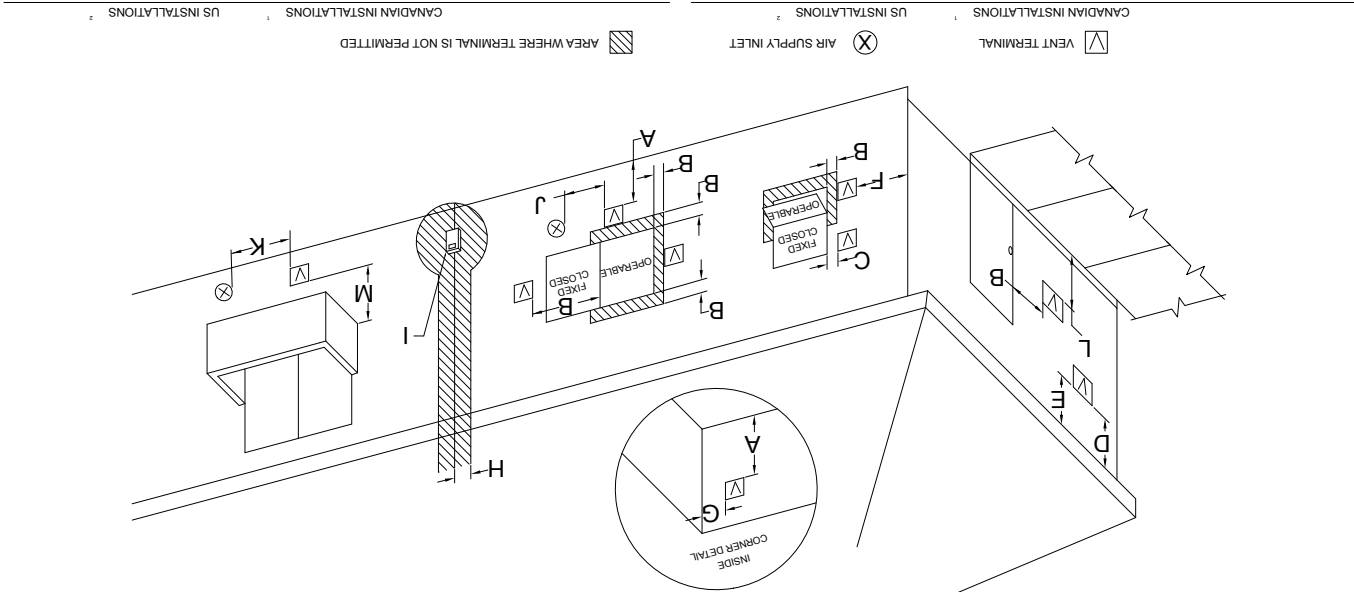


Figure 18

US INSTALLATIONS	CANADIAN INSTALLATIONS	US INSTALLATIONS	CANADIAN INSTALLATIONS
A= CLEARANCE ABOVE GRADE, VERANDA, PORCH, DECK, OR BALCONY	A= CLEARANCE ABOVE GRADE, VERANDA, PORCH, DECK, OR BALCONY	B= DOOR THAT MAY BE OPENED	B= DOOR THAT MAY BE OPENED
B= CLEARANCE TO WINDOW OR	B= CLEARANCE TO WINDOW OR	C= CLEARANCE TO PERMANENTLY CLOSED WINDOW	C= CLEARANCE TO PERMANENTLY CLOSED WINDOW
D= VERTICAL CLEARANCE TO ABOVE THE TERMINAL WITHIN A HORIZONTAL DISTANCE OF 2 FT (610mm) FROM THE CENTER LINE OF THE TERMINAL	D= VERTICAL CLEARANCE TO ABOVE THE TERMINAL WITHIN A HORIZONTAL DISTANCE OF 2 FT (610mm) FROM THE CENTER LINE OF THE TERMINAL	E= CLEARANCE TO UNVENTILATED SOFFIT	E= CLEARANCE TO UNVENTILATED SOFFIT
F= CLEARANCE TO OUTSIDE CORNER	F= CLEARANCE TO OUTSIDE CORNER	G= CLEARANCE TO INSIDE CORNER	G= CLEARANCE TO INSIDE CORNER
H= CLEARANCE TO EACH SIDE OF CENTER LINE EXTENDED ABOVE METER / REGULATOR ASSEMBLY	H= CLEARANCE TO EACH SIDE OF CENTER LINE EXTENDED ABOVE METER / REGULATOR ASSEMBLY	I= CLEARANCE TO SERVICE REGULATOR VENT OUTLET	I= CLEARANCE TO SERVICE REGULATOR VENT OUTLET



1. IN ACCORDANCE WITH THE CURRENT ANSI Z223.1/NFPA 54, NATIONAL FUEL GAS CODE  
 2. A VENT SHALL NOT TERMINATE DIRECTLY ABOVE A SIDEWALK OR PAVED DRIVEWAY THAT IS LOCATED BETWEEN TWO SINGLE FAMILY DWELLINGS AND SERVES BOTH DWELLINGS.  
 3. CLEARANCE TO INSIDE CORNER  
 4. FEET (1.2m) BELOW OR TO SIDE ABOVE OPENING OF OPENING 1 FEET (300mm)  
 TO ANY OTHER APPLIANCE.  
 OR THE COMBUSTION AIR INLET  
 AIR SUPPLY INLET TO BUILDING  
 CLEARANCE TO NONMECHANICAL  
 12 INCHES (300mm)  
 5. CLEARANCE TO MECHANICAL  
 6 FEET (1.83m)  
 AIR SUPPLY INLET  
 CLEARANCE ABOVE PAVED  
 7 FEET (2.13m)  
 SIDEWALK OR PAVED DRIVEWAY  
 LOCATED ON PUBLIC PROPERTY  
 CLEARANCE UNDER VERANDA,  
 PORCH, DECK, OR BALCONY  
 12 INCHES (300mm)  
 6. CLEARANCE TO SERVICE  
 REGULATOR VENT OUTLET  
 3 FEET (91cm)  
 7. CLEARANCE TO EACH SIDE OF  
 CENTER LINE EXTENDED ABOVE  
 METER / REGULATOR  
 ASSEMBLY  
 8. CLEARANCE TO INSIDE CORNER  
 9. CLEARANCE TO OUTSIDE CORNER  
 10. CLEARANCE TO WINDOW OR  
 DOOR THAT MAY BE OPENED  
 11. CLEARANCE TO PERMANENTLY  
 CLOSED WINDOW  
 12. VERTICAL CLEARANCE TO  
 ABOVE THE TERMINAL WITHIN  
 A HORIZONTAL DISTANCE OF 2 FT  
 (610mm) FROM THE CENTER LINE  
 OF THE TERMINAL  
 13. CLEARANCE TO UNVENTILATED SOFFIT  
 14. CLEARANCE TO INSIDE CORNER  
 15. CLEARANCE TO EACH SIDE OF  
 CENTER LINE EXTENDED ABOVE  
 METER / REGULATOR ASSEMBLY  
 16. CLEARANCE TO SERVICE  
 REGULATOR VENT OUTLET  
 17. CLEARANCE TO EACH SIDE OF  
 CENTER LINE EXTENDED ABOVE  
 METER / REGULATOR  
 ASSEMBLY  
 18. CLEARANCE TO SERVICE  
 REGULATOR VENT OUTLET  
 19. CLEARANCE TO EACH SIDE OF  
 CENTER LINE EXTENDED ABOVE  
 METER / REGULATOR  
 ASSEMBLY  
 20. CLEARANCE TO EACH SIDE OF  
 CENTER LINE EXTENDED ABOVE  
 METER / REGULATOR  
 ASSEMBLY  
 21. CLEARANCE TO EACH SIDE OF  
 CENTER LINE EXTENDED ABOVE  
 METER / REGULATOR  
 ASSEMBLY  
 22. CLEARANCE TO EACH SIDE OF  
 CENTER LINE EXTENDED ABOVE  
 METER / REGULATOR  
 ASSEMBLY  
 23. CLEARANCE TO EACH SIDE OF  
 CENTER LINE EXTENDED ABOVE  
 METER / REGULATOR  
 ASSEMBLY  
 24. CLEARANCE TO EACH SIDE OF  
 CENTER LINE EXTENDED ABOVE  
 METER / REGULATOR  
 ASSEMBLY  
 25. CLEARANCE TO EACH SIDE OF  
 CENTER LINE EXTENDED ABOVE  
 METER / REGULATOR  
 ASSEMBLY  
 26. CLEARANCE TO EACH SIDE OF  
 CENTER LINE EXTENDED ABOVE  
 METER / REGULATOR  
 ASSEMBLY  
 27. CLEARANCE TO EACH SIDE OF  
 CENTER LINE EXTENDED ABOVE  
 METER / REGULATOR  
 ASSEMBLY  
 28. CLEARANCE TO EACH SIDE OF  
 CENTER LINE EXTENDED ABOVE  
 METER / REGULATOR  
 ASSEMBLY  
 29. CLEARANCE TO EACH SIDE OF  
 CENTER LINE EXTENDED ABOVE  
 METER / REGULATOR  
 ASSEMBLY  
 30. CLEARANCE TO EACH SIDE OF  
 CENTER LINE EXTENDED ABOVE  
 METER / REGULATOR  
 ASSEMBLY  
 31. CLEARANCE TO EACH SIDE OF  
 CENTER LINE EXTENDED ABOVE  
 METER / REGULATOR  
 ASSEMBLY  
 32. CLEARANCE TO EACH SIDE OF  
 CENTER LINE EXTENDED ABOVE  
 METER / REGULATOR  
 ASSEMBLY  
 33. CLEARANCE TO EACH SIDE OF  
 CENTER LINE EXTENDED ABOVE  
 METER / REGULATOR  
 ASSEMBLY  
 34. CLEARANCE TO EACH SIDE OF  
 CENTER LINE EXTENDED ABOVE  
 METER / REGULATOR  
 ASSEMBLY  
 35. CLEARANCE TO EACH SIDE OF  
 CENTER LINE EXTENDED ABOVE  
 METER / REGULATOR  
 ASSEMBLY  
 36. CLEARANCE TO EACH SIDE OF  
 CENTER LINE EXTENDED ABOVE  
 METER / REGULATOR  
 ASSEMBLY  
 37. CLEARANCE TO EACH SIDE OF  
 CENTER LINE EXTENDED ABOVE  
 METER / REGULATOR  
 ASSEMBLY  
 38. CLEARANCE TO EACH SIDE OF  
 CENTER LINE EXTENDED ABOVE  
 METER / REGULATOR  
 ASSEMBLY  
 39. CLEARANCE TO EACH SIDE OF  
 CENTER LINE EXTENDED ABOVE  
 METER / REGULATOR  
 ASSEMBLY  
 40. CLEARANCE TO EACH SIDE OF  
 CENTER LINE EXTENDED ABOVE  
 METER / REGULATOR  
 ASSEMBLY  
 41. CLEARANCE TO EACH SIDE OF  
 CENTER LINE EXTENDED ABOVE  
 METER / REGULATOR  
 ASSEMBLY  
 42. CLEARANCE TO EACH SIDE OF  
 CENTER LINE EXTENDED ABOVE  
 METER / REGULATOR  
 ASSEMBLY  
 43. CLEARANCE TO EACH SIDE OF  
 CENTER LINE EXTENDED ABOVE  
 METER / REGULATOR  
 ASSEMBLY  
 44. CLEARANCE TO EACH SIDE OF  
 CENTER LINE EXTENDED ABOVE  
 METER / REGULATOR  
 ASSEMBLY  
 45. CLEARANCE TO EACH SIDE OF  
 CENTER LINE EXTENDED ABOVE  
 METER / REGULATOR  
 ASSEMBLY  
 46. CLEARANCE TO EACH SIDE OF  
 CENTER LINE EXTENDED ABOVE  
 METER / REGULATOR  
 ASSEMBLY  
 47. CLEARANCE TO EACH SIDE OF  
 CENTER LINE EXTENDED ABOVE  
 METER / REGULATOR  
 ASSEMBLY  
 48. CLEARANCE TO EACH SIDE OF  
 CENTER LINE EXTENDED ABOVE  
 METER / REGULATOR  
 ASSEMBLY  
 49. CLEARANCE TO EACH SIDE OF  
 CENTER LINE EXTENDED ABOVE  
 METER / REGULATOR  
 ASSEMBLY  
 50. CLEARANCE TO EACH SIDE OF  
 CENTER LINE EXTENDED ABOVE  
 METER / REGULATOR  
 ASSEMBLY  
 51. CLEARANCE TO EACH SIDE OF  
 CENTER LINE EXTENDED ABOVE  
 METER / REGULATOR  
 ASSEMBLY  
 52. CLEARANCE TO EACH SIDE OF  
 CENTER LINE EXTENDED ABOVE  
 METER / REGULATOR  
 ASSEMBLY  
 53. CLEARANCE TO EACH SIDE OF  
 CENTER LINE EXTENDED ABOVE  
 METER / REGULATOR  
 ASSEMBLY  
 54. CLEARANCE TO EACH SIDE OF  
 CENTER LINE EXTENDED ABOVE  
 METER / REGULATOR  
 ASSEMBLY  
 55. CLEARANCE TO EACH SIDE OF  
 CENTER LINE EXTENDED ABOVE  
 METER / REGULATOR  
 ASSEMBLY  
 56. CLEARANCE TO EACH SIDE OF  
 CENTER LINE EXTENDED ABOVE  
 METER / REGULATOR  
 ASSEMBLY  
 57. CLEARANCE TO EACH SIDE OF  
 CENTER LINE EXTENDED ABOVE  
 METER / REGULATOR  
 ASSEMBLY  
 58. CLEARANCE TO EACH SIDE OF  
 CENTER LINE EXTENDED ABOVE  
 METER / REGULATOR  
 ASSEMBLY  
 59. CLEARANCE TO EACH SIDE OF  
 CENTER LINE EXTENDED ABOVE  
 METER / REGULATOR  
 ASSEMBLY  
 60. CLEARANCE TO EACH SIDE OF  
 CENTER LINE EXTENDED ABOVE  
 METER / REGULATOR  
 ASSEMBLY  
 61. CLEARANCE TO EACH SIDE OF  
 CENTER LINE EXTENDED ABOVE  
 METER / REGULATOR  
 ASSEMBLY  
 62. CLEARANCE TO EACH SIDE OF  
 CENTER LINE EXTENDED ABOVE  
 METER / REGULATOR  
 ASSEMBLY  
 63. CLEARANCE TO EACH SIDE OF  
 CENTER LINE EXTENDED ABOVE  
 METER / REGULATOR  
 ASSEMBLY  
 64. CLEARANCE TO EACH SIDE OF  
 CENTER LINE EXTENDED ABOVE  
 METER / REGULATOR  
 ASSEMBLY  
 65. CLEARANCE TO EACH SIDE OF  
 CENTER LINE EXTENDED ABOVE  
 METER / REGULATOR  
 ASSEMBLY  
 66. CLEARANCE TO EACH SIDE OF  
 CENTER LINE EXTENDED ABOVE  
 METER / REGULATOR  
 ASSEMBLY  
 67. CLEARANCE TO EACH SIDE OF  
 CENTER LINE EXTENDED ABOVE  
 METER / REGULATOR  
 ASSEMBLY  
 68. CLEARANCE TO EACH SIDE OF  
 CENTER LINE EXTENDED ABOVE  
 METER / REGULATOR  
 ASSEMBLY  
 69. CLEARANCE TO EACH SIDE OF  
 CENTER LINE EXTENDED ABOVE  
 METER / REGULATOR  
 ASSEMBLY  
 70. CLEARANCE TO EACH SIDE OF  
 CENTER LINE EXTENDED ABOVE  
 METER / REGULATOR  
 ASSEMBLY  
 71. CLEARANCE TO EACH SIDE OF  
 CENTER LINE EXTENDED ABOVE  
 METER / REGULATOR  
 ASSEMBLY  
 72. CLEARANCE TO EACH SIDE OF  
 CENTER LINE EXTENDED ABOVE  
 METER / REGULATOR  
 ASSEMBLY  
 73. CLEARANCE TO EACH SIDE OF  
 CENTER LINE EXTENDED ABOVE  
 METER / REGULATOR  
 ASSEMBLY  
 74. CLEARANCE TO EACH SIDE OF  
 CENTER LINE EXTENDED ABOVE  
 METER / REGULATOR  
 ASSEMBLY  
 75. CLEARANCE TO EACH SIDE OF  
 CENTER LINE EXTENDED ABOVE  
 METER / REGULATOR  
 ASSEMBLY  
 76. CLEARANCE TO EACH SIDE OF  
 CENTER LINE EXTENDED ABOVE  
 METER / REGULATOR  
 ASSEMBLY  
 77. CLEARANCE TO EACH SIDE OF  
 CENTER LINE EXTENDED ABOVE  
 METER / REGULATOR  
 ASSEMBLY  
 78. CLEARANCE TO EACH SIDE OF  
 CENTER LINE EXTENDED ABOVE  
 METER / REGULATOR  
 ASSEMBLY  
 79. CLEARANCE TO EACH SIDE OF  
 CENTER LINE EXTENDED ABOVE  
 METER / REGULATOR  
 ASSEMBLY  
 80. CLEARANCE TO EACH SIDE OF  
 CENTER LINE EXTENDED ABOVE  
 METER / REGULATOR  
 ASSEMBLY  
 81. CLEARANCE TO EACH SIDE OF  
 CENTER LINE EXTENDED ABOVE  
 METER / REGULATOR  
 ASSEMBLY  
 82. CLEARANCE TO EACH SIDE OF  
 CENTER LINE EXTENDED ABOVE  
 METER / REGULATOR  
 ASSEMBLY  
 83. CLEARANCE TO EACH SIDE OF  
 CENTER LINE EXTENDED ABOVE  
 METER / REGULATOR  
 ASSEMBLY  
 84. CLEARANCE TO EACH SIDE OF  
 CENTER LINE EXTENDED ABOVE  
 METER / REGULATOR  
 ASSEMBLY  
 85. CLEARANCE TO EACH SIDE OF  
 CENTER LINE EXTENDED ABOVE  
 METER / REGULATOR  
 ASSEMBLY  
 86. CLEARANCE TO EACH SIDE OF  
 CENTER LINE EXTENDED ABOVE  
 METER / REGULATOR  
 ASSEMBLY  
 87. CLEARANCE TO EACH SIDE OF  
 CENTER LINE EXTENDED ABOVE  
 METER / REGULATOR  
 ASSEMBLY  
 88. CLEARANCE TO EACH SIDE OF  
 CENTER LINE EXTENDED ABOVE  
 METER / REGULATOR  
 ASSEMBLY  
 89. CLEARANCE TO EACH SIDE OF  
 CENTER LINE EXTENDED ABOVE  
 METER / REGULATOR  
 ASSEMBLY  
 90. CLEARANCE TO EACH SIDE OF  
 CENTER LINE EXTENDED ABOVE  
 METER / REGULATOR  
 ASSEMBLY  
 91. CLEARANCE TO EACH SIDE OF  
 CENTER LINE EXTENDED ABOVE  
 METER / REGULATOR  
 ASSEMBLY  
 92. CLEARANCE TO EACH SIDE OF  
 CENTER LINE EXTENDED ABOVE  
 METER / REGULATOR  
 ASSEMBLY  
 93. CLEARANCE TO EACH SIDE OF  
 CENTER LINE EXTENDED ABOVE  
 METER / REGULATOR  
 ASSEMBLY  
 94. CLEARANCE TO EACH SIDE OF  
 CENTER LINE EXTENDED ABOVE  
 METER / REGULATOR  
 ASSEMBLY  
 95. CLEARANCE TO EACH SIDE OF  
 CENTER LINE EXTENDED ABOVE  
 METER / REGULATOR  
 ASSEMBLY  
 96. CLEARANCE TO EACH SIDE OF  
 CENTER LINE EXTENDED ABOVE  
 METER / REGULATOR  
 ASSEMBLY  
 97. CLEARANCE TO EACH SIDE OF  
 CENTER LINE EXTENDED ABOVE  
 METER / REGULATOR  
 ASSEMBLY  
 98. CLEARANCE TO EACH SIDE OF  
 CENTER LINE EXTENDED ABOVE  
 METER / REGULATOR  
 ASSEMBLY  
 99. CLEARANCE TO EACH SIDE OF  
 CENTER LINE EXTENDED ABOVE  
 METER / REGULATOR  
 ASSEMBLY  
 100. CLEARANCE TO EACH SIDE OF  
 CENTER LINE EXTENDED ABOVE  
 METER / REGULATOR  
 ASSEMBLY

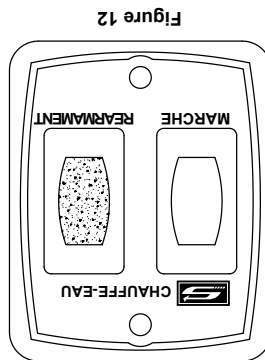
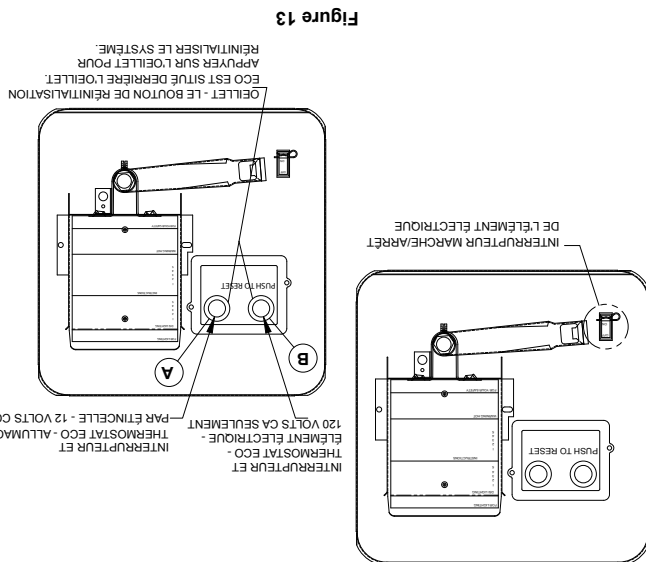
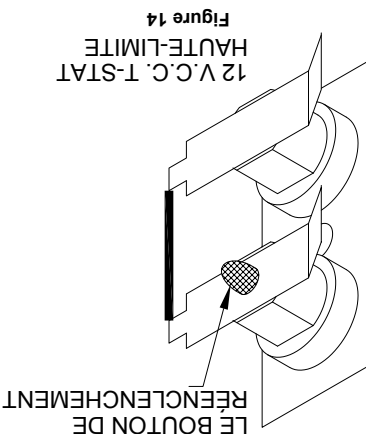
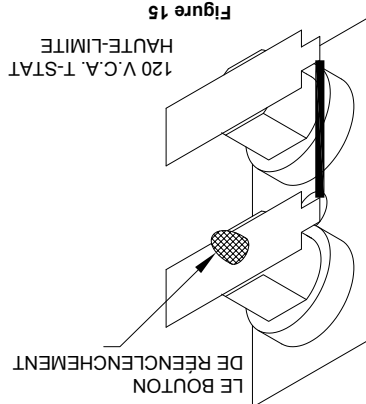


Figure 17

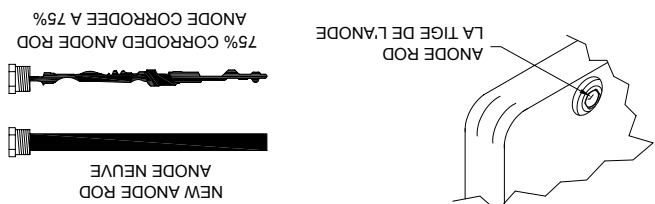
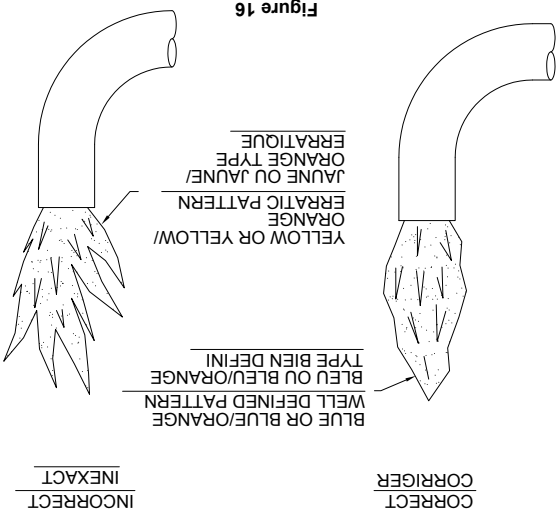


Figure 16



**PIÈCES ET SERVICE**

Contactez idéalement situé au centre de service recommandé Suburban. Décrire les la nature de votre problème, prendre rendez-vous, si nécessaire, et de fournir pour la livraison de votre RV avec l'appareil installé. Pour obtenir des informations sur la localisation d'un organisme de service local, contactez:

AIPIXCEL, Inc., Suburban Division  
 Customer Service Department  
 676 Broadway Street  
 Dayton, TN 37321  
 (423) 775-2131 Ext. 7101  
 www.AiPxccl.com

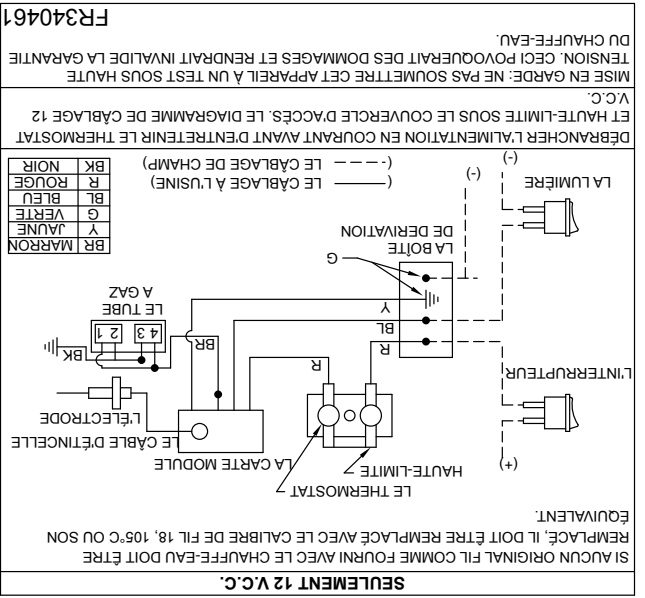


Figure 5

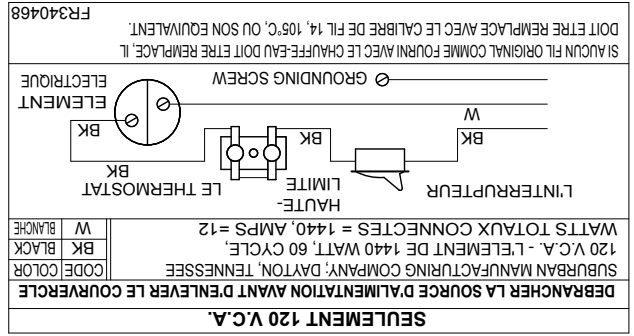
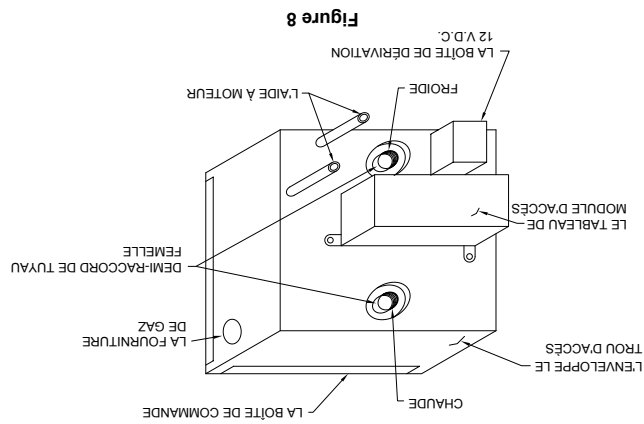
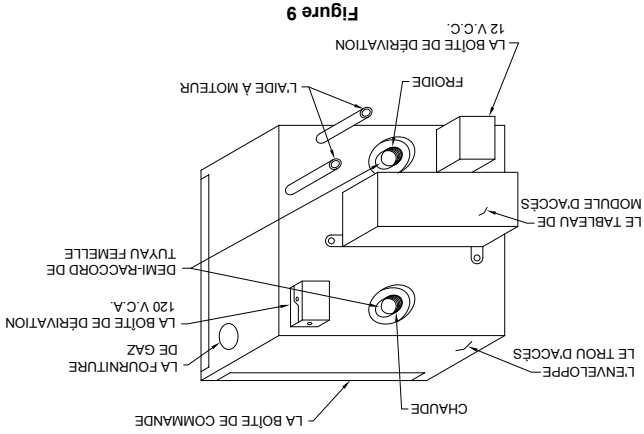
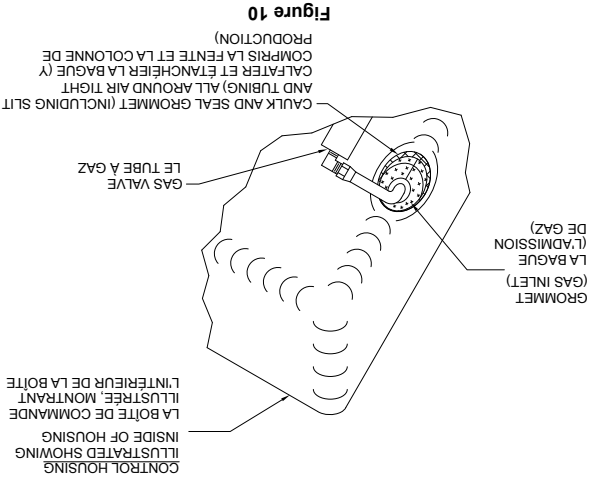
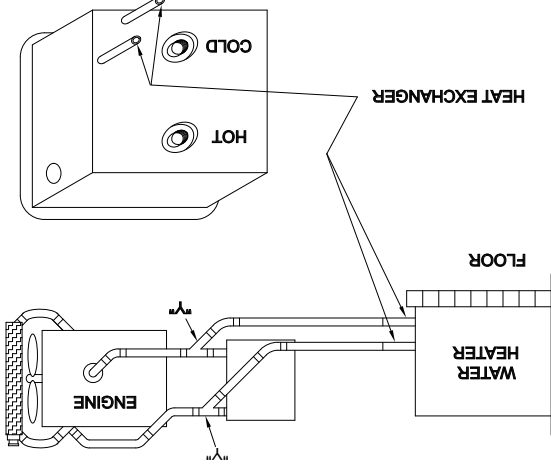
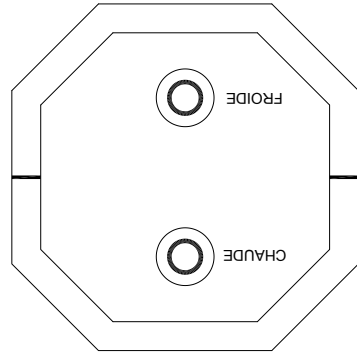


Figure 6



## L'ODEUR DU SYSTÈME DE L'EAU CHAUDE

Une odeur émanant du système de distribution d'eau n'est pas imputable à l'équipement. Selon son origine, l'eau peut contenir une quantité suffisante de biocumulements (produit liquide ménager) dans le réservoir d'eau - environ six onces par fraction de 10 gallons de contenance du réservoir. Faire ensuite circuler l'eau chlorée à travers le système; ouvrir successivement chaque robinet (un seul à la fois) et laisser l'eau couler jusqu'à ce que l'odeur du chlore soit perceptible. Ne pas utiliser le VR pendant quelques jours; l'action du chlore devrait résoudre le problème. On devra ensuite rincer le circuit de distribution avec de l'eau pour éliminer le chlore; il peut être nécessaire de répéter plusieurs fois cette opération. On peut également envisager l'installation d'un système de filtration pour retenir les résidus de chlore et les composés responsables des odeurs d'oignons. Si l'odeur d'oignons persiste, traiter/rincer de nouveau le système selon la méthode ci-dessus, et remplacer la tête d'anode selon le besoin.

## LA SOUPAPE DE SURPRESSION

La température et la soupape de surpression sont desséchées d'ouvrir si la température de l'eau dans le chauffe-eau atteindra 210°F, ou si la pression de l'eau dans le chauffe-eau atteindra 150 livres. Les systèmes de l'eau chaude de récréation sont les systèmes fermés et pendant le cycle de chauffage de l'eau la montée de la pression dans le système de l'eau atteindra 150 livres. Quand cette pression est atteinte, la soupape de surpression ouvrira et l'eau gouttera de la soupape. Cet écoulement continuera jusqu'à la pression est réduite à 150 livres et le chauffe-eau se referme. Cette condition est normale et n'indique pas une soupape de surpression défectueuse.

**AVERTISSEMENT!** Ne pas mettre une soupape entre la soupape de surpression et le réservoir. Ne pas boucher la soupape de surpression sous aucunes circonstances.

## FUITE D'EAU PAR LA SOUPAPE DE SÉCURITÉ

Lorsque le chauffe-eau fonctionne, on peut parfois observer de petits écoulements d'eau par la soupape de sécurité du chauffe-eau. Ceci ne signifie pas toujours que la soupape de sécurité (pression/température) soit défectueuse. L'eau se dilate lors du chauffage. Le circuit de canalisations d'eau d'un véhicule récréatif est une pression dans le circuit atteint la pression de de réglage de la soupape, celle-ci laisse s'écouler un peu d'eau pour réduire la pression. Suburban recommande de ne pas installer une valve directement à l'arrivée d'eau du réservoir du chauffe-eau. Ce qui augmentera le suintement de la soupape de sèreté.

**AVERTISSEMENT!** Ne connectez ou n'enlevez pas la soupape de sèreté.

**A.** Le Bec Principal - Ne pas permettre le bec de brûler avec une flamme jaune, parce que la suie produira. (Voir les avertissements de sécurité). Si la flamme est jaune, continuez de faire fonctionner l'unité avec une flamme du bec inexacte. Voir la Figure 16 pour l'apparence de la flamme correcte et inexacte.

**B.** Inspecter périodiquement l'unité pour la suie. Si la suie est présente n'imposez pas de service qualifié. La suie est un signe de combustion incomplète et doit être corrigée avant de faire fonctionner le chauffe-eau. Les endroits d'inspecter incluent:

**1.** Inspecter pour une obstruction dans le bec ou la boîte du tuyau de cheminée.

**2.** Inspecter l'écran dans la porte pour vérifier que pas de matière étrangère a accumulé pour empêcher le débit de l'air de combustion et de l'air ventilé.

**3.** Inspecter pour être certain qu'il n'y a pas de flamme principale à l'orifice du bec ou le bec toutes les fois que le tube à gaz principal est fermé. Sur les modèles de l'unité directe celui-ci peut être vérifié en tournant l'interrupteur "EN MARCHE/ARRÊT" à la position "ARRÊT".

**C.** Les inspections fréquentes doivent être faites de la bague sur l'admission de gaz pour assurer l'étanchéité serré. Voir "Les Branchements De Gaz."

**D.** Inspecter périodiquement le câblage et le branchement de câblage pour être certain que le câblage n'est pas endommagé/effiloché et que toutes les bornes et les branchements sont étanches et conformément aux codes. (Voir "Les Branchements de Fil")

Si le véhicule de récréation est d'être emmagasiné pendant les mois hivernaux, le chauffe-eau doit être s'écouler pour empêcher le dégât de congélation.

**1.** Couper l'alimentation électrique au chauffe-eau à l'interrupteur pour l'élément électrique ou au disjoncteur.

**2.** Fermer la fourniture de gaz au chauffe-eau.

**3.** Fermer la pompe élévatrice sur le système de l'eau.

**4.** Ouvrir les deux robinets de l'eau chaude et froide.

**5.** Enlever la tige de l'anode du réservoir.

**6.** Suivre les instructions du fabricant du véhicule de récréation pour écouler le système de l'eau entier.

**NOTE:** Soyez certain de ramper le chauffe-eau avec l'eau et enlever tout l'air du réservoir et les lignes avant de réallumer ou avant de brancher l'alimentation électrique.

## PRÉPARATION POUR L'HIVER

Si la tuyauterie de votre chauffe-eau est équipé d'un conduit de dérivation, utilisez le pour ARRÊTER le chauffe-eau complètement et laissez le ferme (hors de système) dans la position de dérivation, particulièrement si vous allez introduire un antigel dans le système. L'antigel peut avoir un effet corrosif sur la tige anode créant une panne prématurée et un épais sédiment au bas du réservoir. Si la tuyauterie n'est pas équipée d'un conduit de dérivation, et vous avez l'intention de préparer votre chauffe-eau pour l'hiver en y ajoutant un antigel, enlevez la tige anode (l'entreposant pour l'hiver) et remplacez le par un bouchon de vidange de 3/4 pouce.

## LA PROTECTION DE L'ANODE

Le réservoir de ce chauffe-eau est protégé contre la corrosion électrolytique provoquée par l'eau chaude, par une anode de magnésium ou de aluminium; ceci prolonge la durée de service. Sous l'utilisation normale la tige de l'anode s'abîmera et à cause de cela, nous recommandons qu'elle soit remplacée annuellement. L'eau avec les hauts niveaux de fer et/ou le sulfate augmentent la tige de l'anode de détérioration; par conséquent, le remplacement plus fréquent peut être exigé. Lors de la protection a été rongée par la corrosion, il suffit de la remplacer. (Voir la Figure 17)

Pour éviter une fuite d'eau lors du remplacement de l'anode de protection, on doit appliquer sur le filetage de l'anode un produit d'étanchéité homologué pour l'emploi dans un circuit d'eau potable (par exemple du reban de Teflon). Un produit d'étanchéité des filetages convenablement appliqué ne dégrade pas la protection conférée au réservoir par l'anode.

Le fonctionnement du chauffe-eau sans la protection de l'anode adéquate diminue la vie du réservoir et rendra nul votre garantie sur le réservoir. **NOTE:** Le réservoir s'est écouler en enlevant la tige de l'anode (Voir "Les Instructions D'écoulement et D'emmagasinage").

Pour maximiser la longévité de l'anode, vider l'eau du réservoir avant chaque période d'inutilisation du véhicule. Éviter toute période d'inutilisation avec le réservoir plein.

Référez vous également à la section sur la Préparation Pour L'Hiver.

**AVERTISSEMENT!** Ne pas remplacer la tige de l'anode avec aucune partie d'accessoire non-Suburban, tel qu'un élément de chauffage électrique. Les articles tel que ceux-ci ne sont pas approuvés d'être installés dans les produits Suburban. Ils peuvent créer une condition dangereuse et rendre nul aussi toutes les garanties.

## L'ENLÈVEMENT DU CHAUFFE-EAU

1. Fermer la fourniture de gaz et débrancher la ligne de la fourniture de gaz du chauffe-eau. Fermer tous les Modèles Electriques, débrancher l'alimentation de 120 V.C.A. à la boîte de dérivation montée sur le chauffe-eau.
2. Fermer l'arrivée d'eau froide.
3. Ouvrir un robinet dans le VR.
4. Manœuvrer la manette de la soupape de sécurité et laisser l'eau s'écouler, jusqu'à ce que l'écoulement cesse.
5. Lâcher la manette de la soupape - elle doit se fermer d'elle-même.
6. Lorsque le réservoir se remplit, fermer le robinet et ouvrir l'arrivée d'eau froide la poche d'air se forme.

1. Fermer la fourniture de gaz et débrancher la ligne de la fourniture de gaz du chauffe-eau. Fermer tous les Modèles DSI, débrancher l'alimentation en courant de 12 V.C.C. à la boîte de dérivation sur le chauffe-eau.
2. Sur les modèles SW4D, SW6D et SW6DE débrancher tous les fils à la carte module. Fermer la distribution de l'eau. S'égoutter l'eau du réservoir en suivant les instructions sous "l'écoulement et l'emmagasinage."
3. Débrancher les lignes de l'eau chaude et froide du chauffe-eau.
4. Enlever les vis ou les clous qui fixent le boîtier à l'ouverture encadrée.
5. Glisser le chauffe-eau dehors. Pour réinstaller, suivre les instructions dans le manuel sous "Les Instructions d'Installation".

## L'INSTALLATION D'ÉCHANGEUR DE CHALEUR DE LAIDE À MOTEUR

- A. Mettre les "Y"s de cuivre dans le chauffe-eau comme montés à la Figure 11.
  - B. Fixer les tuyaux aux "Y"s avec les colliers du tuyau.
  - C. Attacher le tuyau d'échangeur de chaleur de laide à moteur aux "Y"s.
  - D. Fixer les tuyaux à laide à moteur et les "Y"s avec les colliers.
  - E. Inspecter tous les branchements pour les fuites de l'eau et la circulation de l'eau adéquate à travers d'échangeur de chaleur de laide à moteur, pendant le fonctionnement du moteur.
- Le système doit être inspecté annuellement pour la détérioration des tuyaux et des branchements de tuyaux du chauffe-eau. Remplacer s'il le faut.

## INFORMATIONS SUR LA SÉCURITÉ POUR VOTRE SÉCURITÉ LIRE AVANT DE FAIRE FONCTIONNER

**AVERTISSEMENT!** Si l'utilisateur de cet appareil ne le maintient pas en état dans lequel il a été livré, ou si l'appareil n'est pas utilisé uniquement pour l'application prévue, ou si l'appareil n'est pas utilisé conformément aux instructions de ce manuel, il existe un risque d'incendie et/ou de production de monoxyde de carbone, ce qui pourrait provoquer des dommages corporels et matériels, ou même un accident mortel.

## INSTRUCTIONS POUR ALLUMAGE ET UTILISATION

**AVERTISSEMENT!** Si vous ne suivez pas exactement ces instructions un feu ou une exposition peut résulter et causer la propriété endommagée, la blessure personnelle ou la mort.

**AVERTISSEMENT!** Avant de faire fonctionner le chauffe-eau, veiller à ce qu'il soit rempli d'eau. Voir les AVERTISSEMENTS DE SÉCURITÉ.

## QUE VA FAIRE SI VOUS SENTEZ LE GAZ

- Ne pas essayer d'allumer aucun appareil.
  - Ne pas toucher aucun interrupteur électrique.
  - Ne pas utiliser aucun téléphone dans votre immeuble.
  - Téléphonez immédiatement votre fournisseur de gaz d'un téléphone d'un voisin. Suivez les instructions du fournisseur de gaz.
  - Si vous ne pouvez pas parler avec votre fournisseur de gaz, téléphonez le service des incendies.
- C'est un tube à gaz automatique; les réglages ne sont pas nécessaires. Ne pas tenter de réparer le tube à gaz, ça peut résulter à l'incendie ou à l'explosion. Ne pas utiliser cet appareil si aucune partie a été sous l'eau. Téléphoner immédiatement un technicien de service qualifié d'inspecter l'appareil et de remplacer aucune partie du système de commande et aucune commande de gaz qui a été sous l'eau.
- E. Avant de faire fonctionner le chauffe-eau, vérifier que l'endroit de la ventouse ne soit pas bloqué par l'ouverture d'aucune porte sur la remorque. S'il pourra être bloqué, ne pas faire fonctionner le chauffe-eau avec la porte ouverte.

## LES INSTRUCTIONS D'UTILISATION

1. ARRÊTER Lire l'information de sécurité fournie
2. Tourner le robinet de gaz (C) dans le sens des aiguilles d'une montre à la position "ARRET" et l'indicateur de température au positionnement le plus bas.
3. Couper la fourniture de gaz.
4. Attendez cinq minutes pour le gaz de dégager la zone. Si vous sentez un odeur de gaz, puis STOP! Suivez les instructions du point B de l'information de sécurité. Si vous ne sentez pas de gaz, passez à l'étape suivante.
5. Mettre la fourniture de gaz "EN MARCHÉ".
6. Brancher l'alimentation à l'appareil.
7. Tourner le commutateur qui fonctionne le chauffe-eau à «ON». Le commutateur est illustré dans la figure 12. Votre commutateur peut être différent en apparence le système tente automatiquement deux possibilités pour l'allumage avant de lock-out. Lorsque la lumière reste illuminée, le système est en lock-out.

8. Si le verrouillage survient avant l'allumage du brûleur principal, la lampe rouge du cycle d'allumage est un système à trois essayer.
9. Si le brûleur ne s'allume pas, il convient également de vérifier les éléments suivants avant d'appeler un technicien.
  - A. L'interrupteur à l'arrêt.
  - B. La fourniture de gaz au chauffe-eau est vide ou mettre à l'arrêt.
  - C. Le bouton de ré-enclenchement sur ECO est déclenché. (Voir La Figure 14)
  - 9. Si le brûleur ne s'allume pas et/ou si l'élément électrique ne fonctionne pas, appeler un centre de service Suburban ou une agence de service local de véhicules de plaisance.

## INSTRUCTIONS POUR LE FONCTIONNEMENT DES APPAREILS À ÉLECTRICITÉ

Les chauffe-eau électriques sont fabriqués pour opérer avec une quantité minimale de service d'entretien; cependant, le fonctionnement et l'entretien adéquat est essentiel.

Le problème le plus commun, de loin, avec les chauffe-eau électriques provient du fait qu'on les alimente en courant avant de les remplir d'eau. Même le fonctionnement bref de l'élément électrique sans eau dans le réservoir, grillera l'élément électrique de chauffage.

Pour alimenter l'élément électrique de chauffage, tournez le commutateur dans la position allumé (on). Le commutateur se trouve derrière la porte du chauffe-eau au coin gauche au bas du boîtier de contrôle. La température de l'eau sera réglée par le thermostat. (Voir la figure 13)

## LE THERMOSTAT ET LA REMISE À ZÉRO MANUELLE

**LES MODÈLES: SW4D, SW6D, et SW6DM (Voir la Figure 14)**

Les modèles de chauffe-eau inscrits au-dessus sont équipés avec une limite de haute température comme un appareil de mettre hors circuit. La température au-dessus de 180°F causera le bouton de ré-enclenchement de disjoncter en fermant le bec principal.

Pour activer le bec, la température de l'eau doit être en dessous de 110°F. Poussez le bouton de ré-enclenchement pour réactiver l'élément électrique. initialisation ECO pour l'allumage par cellule - 12 volts CC - est situé derrière l'celllet (A). Appuyer sur l'celllet (A) pour ré-initialiser le système.

## LE THERMOSTAT ET LA REMISE À ZÉRO MANUELLE

**LES MODÈLES: SW6DE et SW6DEM (Voir la Figure 15)**

Les modèles de chauffe-eau inscrits au-dessus sont équipés avec une limite de haute température comme un appareil de couper.

La température au-dessus de 180°F causera le bouton de ré-enclenchement de disjoncter et fermer l'élément électrique.

Pour activer l'élément, la température de l'eau doit être en dessous de 110°F. Poussez le bouton de ré-enclenchement pour réactiver l'élément électrique. Le bouton de ré-initialisation ECO pour l'électrique de 120 volts CA est situé derrière l'celllet (B). Appuyer sur l'celllet (B) pour ré-initialiser le système.

## UTILISATION À UNE ALTITUDE ÉLEVÉE

Les chauffe-eau Suburban ont été homologués par un laboratoire de test de réputation nationale pour l'utilisation sans modification jusqu'à une altitude de 4500 pieds. L'utilisation au-dessus de cette altitude peut nécessiter une réduction de 4% de la capacité thermique pour chaque tranche de 1000 pieds au-dessus du niveau de la mer. Par exemple à une altitude de 8000 pieds, on doit réduire la capacité thermique du chauffe-eau d'environ 30%.

Si on ne réduit pas suffisamment le débit du gaz alimentant l'appareil, la pénurie d'oxygène lors de la combustion peut susciter un fonctionnement incorrect du brûleur. On peut observer l'extinction de la flamme de veille par le soufflé du brûleur principal ou la génération de suie par une flamme jaune, ceci indiquant également un risque de génération de monoxyde de carbone. On peut également observer parfois un chauffage inefficace de l'eau du fait de la combustion incomplète du gaz par le brûleur à ces altitudes élevées.

Pour pouvoir réduire convenablement le débit du gaz alimentant l'appareil, consulter le fournisseur local de gaz, le concessionnaire, un établissement d'entretien de véhicules récréatifs ou Suburban Manufacturing Company. Le changement de gicleur devrait être effectué par le concessionnaire ou le personnel d'un établissement de service compétent.

Pour que l'appareil fonctionne correctement, il est important d'effectuer les opérations inverses de réglage du débit de gaz et de la flamme de veille (s'il y en a une) lors du retour à une altitude moins élevée.

## DE TOURNER LE CHAUFFE-EAU À L'ARRÊT

1. Tourner l'interrupteur à la position "ARRÊT".
2. Couper l'alimentation électrique à l'appareil.
3. Couper la fourniture de gaz.
4. Si le véhicule sera emmagasiné, ou le chauffe-eau sera mis à l'arrêt aux environs des températures de congélation, purger le chauffe-eau. (VOIR LES INSTRUCTIONS DE L'ASSÈCHEMENT ET D'EMMAGASINAGE.)

## L'ENTRETIEN

**AVERTISSEMENT!** Si l'usage de cet appareil néglige de le maintenir dans les conditions dans lesquelles il avait été expédié de l'usine ou si l'appareil est utilisé intentionnellement dans un but autre que celui pour lequel il a été conçu, ou si l'appareil n'est pas maintenu en état selon les instructions contenues dans ce manuel; Conséquemment, le risque d'incendie et/ou de production d'oxyde de carbone se fera, ce qui peut causer des blessures personnelles, dommages de propriété ou la perte de vie.

**AVERTISSEMENT!** Pour votre sécurité toutes les réparations doivent être exécutées par votre revendeur ou une personne de service qualifiée.



**AVERTISSEMENT!** Ne pas utiliser une flamme ouverte pour regarder pour les fuites!

**B.** Ouvrir le gaz et regarder aux tous les raccords et les branchements pour les fuites, en utilisant une solution de savon et de l'eau. Corriger même la fuite la plus légère immédiatement.

**AVERTISSEMENT!** C'est impératif que la bague et la conduite de gaz à travers la bague soient caillées étanches. Si pas serrées complètement, l'humidité et les produits du tuyau de cheminée potentiellement nuisibles peuvent déchargés à travers l'ouverture et dans la région d'habitation de la remorque. (Voir la Figure 10).

**A.** Brancher la conduite d'alimentation de gaz de 3/8" au raccord d'évasement de 3/8 au tube à gaz situé à la boîte de commande. En fabriquant le branchement de gaz tenir le raccord de gaz sur la soupape avec une clé en resserant l'écrout d'évasement. L'échec de tenir le raccord sûr peut résulter à une fuite de gaz par suite du raccord étant endommagé. **NOTE:** Il sera nécessaire d'enlever la bague de la boîte de commande. Faire le branchement de gaz à la soupape, puis réinstaller la bague.

Après le test de recherche des fuites, vider l'eau du réservoir.

**ATTENTION:** Si vous utilisez la pression d'air pour regarder pour les fuites, la pression ne doit pas excéder 30 PSI conformément à NFPA 1192.

pour les fuites. coule des robinets, fermer les deux robinets et regarder aux tous les rapports froide pour expulser l'air du réservoir. Quand le réservoir est rempli et l'eau

**C.** Remplir le réservoir avec l'eau. Ouvrir les deux robinets d'eau chaude et installé dans chaque ligne d'eau.

**B.** Pour la facilité de démontage, c'est suggéré qu'un raccord de tuyau soit qu'ils n'ont pas une fuite.

**IMPORTANT:** Utiliser un mastic du filetage de tuyau convenable pour l'eau potable ou la bande de filetage de tuyau sur tous les branchements pour l'eau **PLASTIQUE.** rehausser la circulation de l'eau. **NE PAS ENLEVER LE TUBE DE REMBLAI** NOTE: À l'intérieur de chaque raccord est un tube de remblai. Son but est de l'arrière du réservoir. Ces raccords sont marqués "CHAUDE" et "FROIDE". lignes d'eau chaude et froide au raccord de tuyau femelle de 1/2" fourni sur modèles SW6DM et SW6DEM, se référer aux Figures 8 et 9. Brancher les la Figure 7 pour tous les modèles sauf le SW6DM et le SW6DEM. Pour les A. Les branchements d'eau sont faits à l'arrière du chauffe-eau. Se référer à

**COMMENT FAIRE LES BRANCHEMENTS DE GAZ**

**COMMENT FAIRE LES BRANCHEMENTS D'EAU**

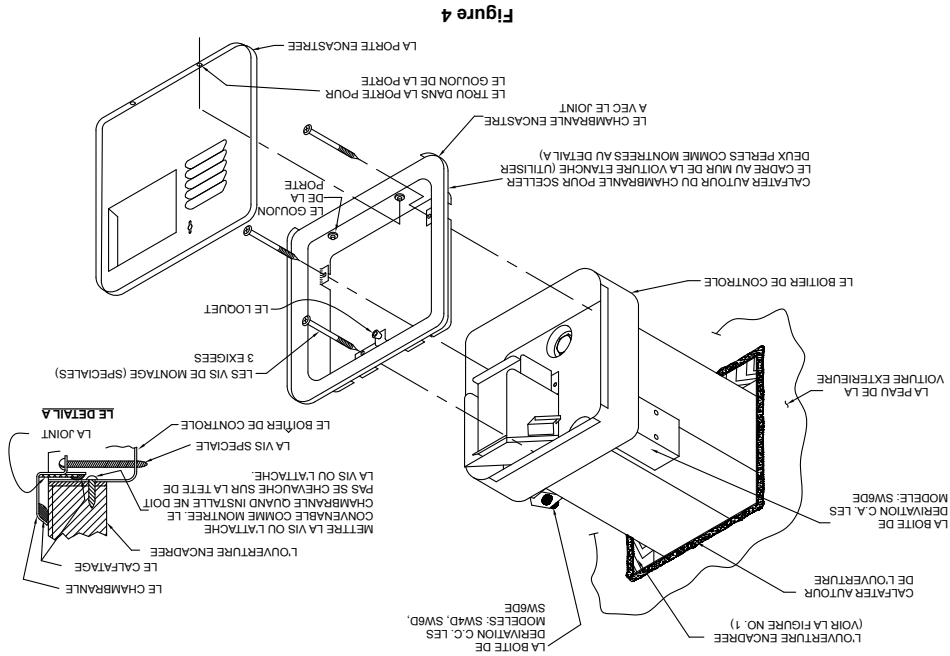


Figure 4

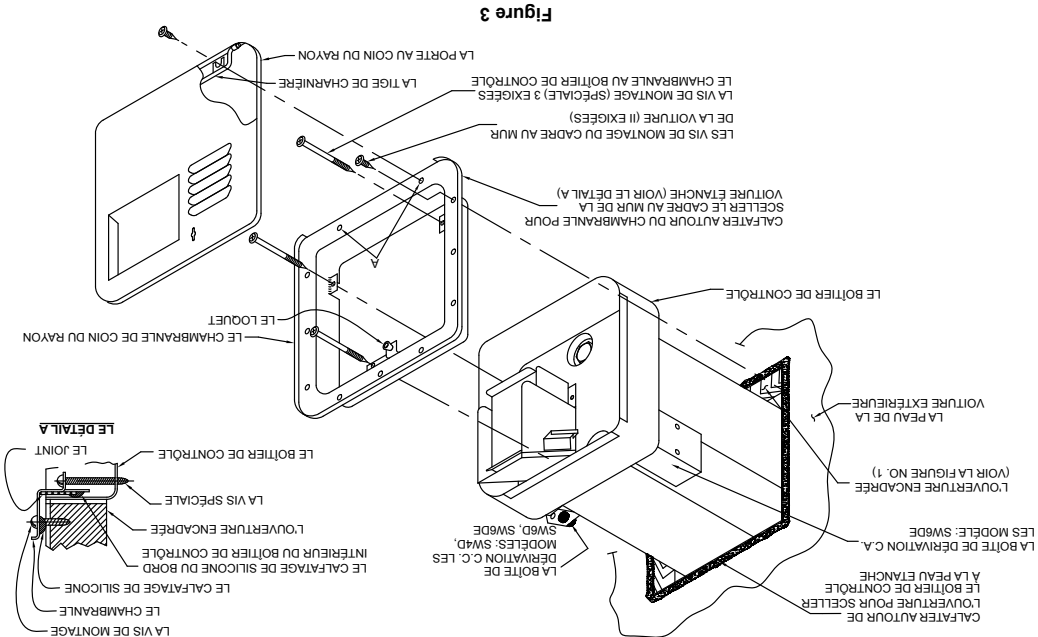
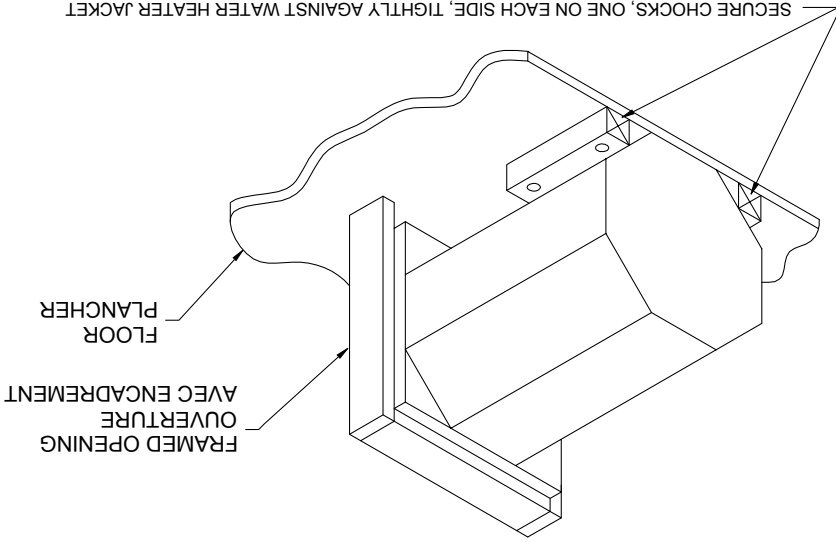


Figure 3

## LE CADRE ET LA PORT ENCASTRES L'INSTALLATION EN UTILISANT

- (Voir la Figure 4 pour l'illustration)
- Mettre le chauffe-eau dans l'ouverture encadrée comme illustré. Glisser l'unité dans l'ouverture jusqu'à ce que le devant du boîtier de contrôle est au ras de la peau de la voiture extérieurement.
  - Fixer le boîtier de contrôle au mur de la voiture (l'ouverture encadrée) au sommet et aux côtés de compartiment du boîtier de contrôle utilisant les vis ou d'autres attaches convenables. Encaster les vis ou les attaches assez loin du bord antérieur du boîtier de contrôle (approximativement 1 1/2") pour éviter le bourrelet sur le chambranie. Le chambranie, quand installé, ne doit pas imbriquer sur la vis ou d'autre tête d'attache. Si à cause de l'épaisseur de la paroi il n'est pas possible de fixer le chauffe-eau à cette paroi. Sans recouvrir la tête de l'agrafe (vis) avec l'encadrement de la porte, il est important de ne pas trop serrer l'agrafe (vis) et par conséquent déformer le boîtier de contrôle et l'encadrement de la porte.
  - NOTES:
    - Installer des cales de chaque côté du chauffe-eau, selon l'illustration de la Figure 2.
    - Sur les parois latérales de type mes à ou oder, aplatir la superficie du mur autour de l'ouverture.
    - Calfeutrer autour de l'ouverture encadrée (la peau de la remorque) comme illustrée.
    - Calfeutrer autour du chambranie en utilisant 2 perles de calfeutrage de silicone (ou un calfeutrage convenable) - un sur le bourrelet pour sceller la peau de la voiture (voir le détail A dans l'illustration.)
    - Insérer le chambranie dans le boîtier de contrôle et fixer avec les trois (3) vis de No. 8-15 x 3 1/2" fournies.
  - Pour installer la porte, mettre les deux trous dans le fond de la porte sur les goujons sur le cadre. Fermer la porte pour que le verrou saillit à travers de la fente dans la porte. Tourner le verrou 90 degrés pour attacher la porte.
  - La carte module sur les modèles SW4D, SW6D et SW6DE n'est pas fixée au chauffe-eau. Il doit être monté en permanence par l'installateur.
  - La carte module doit être montée à un endroit où c'est accessible pour l'entretien cependant hors de la portée des enfants. Elle doit être située dans un endroit où elle ne peut pas être soumise à l'humidité, les produits chimiques de nettoyage, les vapeurs inflammables et les liquides, etc.
  - La carte ou tout câblage à la carte doivent être protégés pour empêcher les dégâts et le contact accidentel avec ces parties. La carte module peut être montée avec deux (2) vis de No. 6 x 5/8" ou d'autre quincaillerie convenable.

## WATER HEATER AS VIEWED FROM INSIDE R.V. CHAUFFE-EAU VU DEPUIS L'INTÉRIEUR DU R.V.



INSTALLER UNE CALE DE CHAQUE CÔTÉ EN CONTACT AVEC LA CHEMISE DU CHAUFFE-EAU. FIXER LES CALES AU PLANCHER POUR QUELLES NE PUISSENT BOUGER. UTILISER DES CALES DE 2PO X 2PO X 6PO ENVIRON.

Figure 2  
3

## LES BRANCHEMENTS ÉLECTRIQUES 120 VOLTS C.A. (Voir La Figure 6)

- Applicable aux modèles suivants: SW6DE, SW6DM, et SW6DEM. Se référer à la Figure 3 pour l'emplacement de la boîte de dérivation C.A. sur les modèles SW6DE, SW6D et SW6DE. Se référer à la Figure 9 pour la boîte de dérivation C.A. sur le modèle SW6DEM.
  - Les branchements électriques doivent être faits conformément aux codes et réglementations locaux. Dans l'absence de codes et réglementations locaux, se référer à l'édition la plus récente du Code National Électrique NFPA No. 70.
  - Au Canada l'installation électrique doit conformer à la norme de CSA, C22.0, 6.2-08/C22.2 No. 148-08 Exigences Électriques pour Les Véhicules de Récréation et CSA C22.1 Code Canadienne Électrique La partie 1 en installant l'unité dans les véhicules de récréation et grandes caravanes respectivement.
  - Vérifier la plaque signalétique et le schéma de câblage (Figure 6) avant de continuer. Installer le disjoncteur de protection fondu ou le disjoncteur de capacité adéquate entre le chauffe-eau et la source d'alimentation électrique. Attacher les fils noirs et blancs du disjoncteur fondu ou disjoncteur aux fils colorés correspondants dans la boîte de dérivation du chauffe-eau. Un fil vert d'une source bien mise à la terre doit être attaché à l'écran vert dans la boîte de dérivation.
- MISE EN GARDE:** Avant de connecter une source d'électricité 120 VAC à l'appareil au niveau de la boîte de connexion, veiller à ce que le commutateur de l'élément chauffant soit à la position d'arrêt.
- AVERTISSEMENT!** Avant de placer le commutateur de l'élément chauffant à la position de marche, on doit complètement remplir le réservoir de chauffe-eau avec de l'eau. Voir les sections "Avertissements de sécurité" et "Instructions d'utilisation des appareils avec élément électrique".

## LES BRANCHEMENTS ÉLECTRIQUES 12 VOLTS C.C. (Voir La Figure 5)

- Applicable aux modèles suivants: SW4D, SW6D, SW6DE, SW6DM, et SW6DEM. Se référer à la Figure 3 pour l'emplacement de la boîte de dérivation C.C. sur les modèles SW4D, SW6D et SW6DE. Se référer aux Figures 8 et 9 pour l'emplacement de la boîte de dérivation C.C. sur le modèle SW6DM et SW6DEM.
  - Les branchements électriques doivent être faits conformément aux codes et réglementations locaux. Dans l'absence de codes et réglementations locaux, se référer à l'édition la plus récente du Code National Électrique NFPA No. 70.
  - Au Canada l'installation électrique doit conformer à la norme de CSA, C22.0, 6.2-08/C22.2 No. 148-08 Exigences Électriques pour Les Véhicules de Récréation et CSA C22.1 Code Canadienne Électrique La partie 1 en installant l'unité dans les véhicules de récréation et grandes caravanes respectivement.
  - Faire les branchements électriques de 12 Volt C.C. en suivant le diagramme de câblage illustré à la Figure 5.
- Si l'alimentation doit être électrique à partir d'un convertisseur, on suggère que le convertisseur soit câblé en parallèle avec la batterie. Ceci remplira deux fonctions:
- Fourniture d'une tension constante
  - Filtrage de toute surtension, continue ou CA.
- Nous recommandons l'utilisation de bornes isolées pour toutes les connexions électriques.

## LES AVERTISSEMENTS DE SÉCURITÉ

**AVERTISSEMENT!** Il est impératif que le réservoir du chauffe-eau soit rempli d'eau avant toute utilisation. La mise en marche du chauffe-eau alors que le réservoir ne serait pas rempli d'eau peut faire subir des dommages au réservoir et/ou aux organes de commande. La garantie limitée ne couvre pas les dommages de cette nature subis par l'appareil.

**AVERTISSEMENT!** Le gaz d'hydrogène peut résulter si vous n'avez pas utilisé cet chauffe-eau depuis deux semaines ou de plus. LE GAZ D'HYDROGÈNE EST EXTREMEMENT INFLAMMABLE. Pour réduire le risque de blessures sous ces conditions, ouvrez le robinet de l'eau chaude depuis plusieurs minutes à l'avance avant que vous utilisiez aucun appareil électrique branché au système de l'eau chaude. Si l'hydrogène est présent, le gaz d'hydrogène peut être présent même après l'eau s'est écoulée du réservoir. Ouvrir le robinet à l'évier et permettre le système de décharger depuis plusieurs minutes (5-10 minutes). Ne pas fumer ni avoir aucune flamme ouverte proche du robinet ouvert. Ne pas tenter d'allumer la veilleuse ou le bec principal. Sur les modèles DSI, soyez certain que l'interrupteur est "ARRÊT".

Si le sur chauffage arrive, ou si la température de gaz ne ferme pas, fermer le tube à gaz manuel à l'appareil avant de fermer l'alimentation électrique. Ne pas changer le fonctionnement de votre chauffe-eau, ni changer le dessin/la construction de votre chauffe-eau. Les accessoires sont commercialisés pour les produits des véhicules autorisés par l'usine doivent être utilisés sur votre chauffe-eau.

Inspecter périodiquement la ventouse pour les obstructions ou la présence de la saie. La saie est formée toutes les fois que la combustion est incomplète. C'est-ci est votre avertissement visuel que le chauffe-eau fonctionne dans une manière dangereuse. Si la suite est présente, fermer immédiatement le chauffe-eau et contacter votre revendeur ou une personne de service qualifiée.

En considérant les chambres additionnelles, un porche ou un patio, l'attention doit être faite sur votre chauffe-eau à l'intérieur des chambres additionnelles, du porche ou sur la chambre ou des endroits occupés. Ne jamais faire fonctionner le chauffe-eau si vous sentez le gaz. Ne pas supposer l'odoré de gaz, c'est considérée menaçante à la vie et doit être corrigée immédiatement. Éviter toutes flammes ouvertes y compris les cigarettes et évacuer toutes personnes du véhicule. Fermer la fourniture de gaz à la bouteille de gaz LP. (Voir la notice de sécurité sur la couverture de devant de ce manuel).

**NOTE:** Toujours ouvrir les deux robinets de l'eau froide et chaude en remplaçant le réservoir de l'eau du véhicule et permettre les trous d'air d'être forcés hors du chauffe-eau. Quand l'eau coule des robinets du chauffe-eau, fermer les deux robinets.

**AVERTISSEMENT!** Le thermostat du chauffe-eau n'est pas réglable. C'est un dispositif de limitation de la température, conçu pour maintenir la température de l'eau à 54°C/130°F. De l'eau dont la température est supérieure à 49°C/125°F peut provoquer instantanément des brûlures graves, susceptibles d'entraîner la mort. On doit donc être très prudent lors de l'utilisation de l'eau chaude. Les enfants et les personnes âgées ou handicapées sont les plus exposées aux risques de brûlure. On doit toujours évaluer la température de l'eau par un bref contact de la main avant de prendre un bain ou une douche.

## INSTRUCTIONS D'INSTALLATION

**AVERTISSEMENT!** L'installation de cet appareil doit être exécuté en accordance avec les instructions écrites fournies dans le manuel. Aucun agent-représentant ou employé de Suburban ou autre personne, n'a l'autorité pour changer, modifier ou déloger le contenu des instructions fournies dans ce manuel.

**NOTE: Ne pas installer le chauffe-eau avec la porte faisant face à l'extrémité**

**AVANT de l'entourer. Voir les figures 19, 20 et 21.**

**ATTENTION:** Si c'est possible, ne pas installer le chauffe-eau ou la ventouse sur une surface non structurée quand aucune porte sur la caravane est ouverte. Si ce n'est pas possible, les voyages de la porte doivent être limités pour fournir un espace libre de 6 pouces entre la ventouse du chauffe-eau et aucune porte chaque fois que la porte est ouverte.

**ATTENTION:** À cause des différences en bardeaux de vinyle, cet appareil ne doit pas être installé sur le bardeau de vinyle sans premièrement consulter le fabricant du bardeau ou couper le bardeau au loin de l'endroit autour de la ventouse de l'appareil.

**ATTENTION:** Dans aucune installation dans laquelle la ventouse de cet appareil peut être couverte à cause de la construction du véhicule de récréation ou quelque caractéristique spéciale du véhicule de récréation comme la glissière, saute, etc. toujours assurer que l'appareil ne peut pas fonctionner en mettant le chauffe-eau à la position positive "ARRÊT" et en fermant toutes sources d'électricité et de gaz à l'appareil.

**ATTENTION:** Ne pas installer cet appareil dans une configuration où le conduit d'évacuation se termine sous un compartiment d'expansion. Ne pas installer cet appareil sous un surplomb. Il doit être suffisamment éloigné de tout surplomb.

Cette installation doit conformer avec les exigences de l'autorité ayant la juridiction

Canada l'installation doit conformer avec les normes suivantes:  
A. Pour l'installation dans les Véhicules de Récréation.  
1. Le Gaz - La Norme de CSA, CSA Z240.4 2-08 Les Exigences d'Installation pour les appareils de propane et matériel dans les véhicules de récréation.  
2. L'Électrique - La Norme de CSA, Z240.6 2-08/C22.2 No. 148-08 Les Exigences électriques pour les véhicules de récréation.  
3. La Plomberie - La Norme de CSA, CSA No. Z240.3.2 Les Exigences de Plomberie pour les Véhicules de Récréation.

B. Pour l'installation dans le logement mobile.  
1. Le Gaz - La Norme de CSA, CSA Z240.4 1 les exigences d'Installation pour les appareils brûlants à gaz et le matériel dans les grandes caravanes.  
2. L'Électrique - La Norme de CSA, CSA C22.1 Le Code Électrique Canadienne 1er partie.  
3. La Plomberie - La Norme de CSA, CSA Z240.3.1 Les Exigences de Plomberie pour les grandes caravanes.

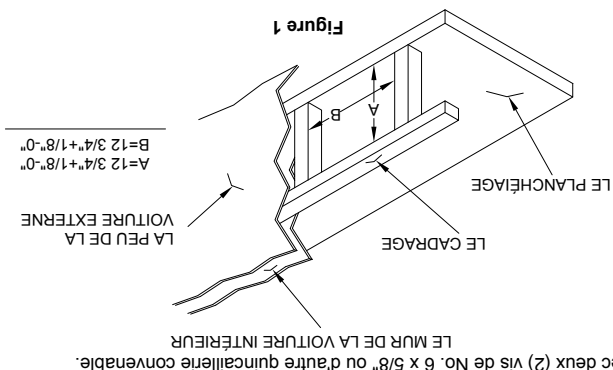
Pour l'installation dans tout logement de type mobile, veuillez vous référer à la Figure 18 pour les dimensions de l'évent.  
L'appareil doit être débranché du conduit d'alimentation de gaz lors de chaque test de pression du système.  
Avant de le mettre en marche, tester l'appareil et ses raccords de gaz afin de vérifier qu'il n'y a pas de fuite.  
Tout l'air comburant doit provenir de l'extérieur de la structure. L'air comburant ne doit pas provenir d'espaces occupés.

## LES INSTRUCTIONS D'INSTALLATION

L'espace libre minimum de la construction combustible sur les côtés, le sommet, le plancher, et l'arrière = 0 pouces. Fournir l'espace pour l'accès à l'arrière de chauffe-eau pour l'entretien.  
Fournir une ouverture au ras du plancher dans le mur externe de la voiture comme montrée. Le mur de la voiture doit être encadré comme montré à la Figure 1. Maintenir les dimensions intérieures inscrites en dessous. Ne pas installer sur le tapis sauf si le tapis est couvert par un bouchier métal ou bois couvrant l'endroit entier en dessous du chauffe-eau. Si vous préférez, vous pouvez couper le tapis de cet endroit.

## L'INSTALLATION EN UTILISANT LA PORTE À CHARNIÈRE

- (Voir la Figure 3 pour l'illustration)  
A. Sur les parois latérales de type mesa ou oder, appâtr la superficie du mur autour de l'ouverture.  
C. Callater autour de l'ouverture encadrée (la peau de la remorque) comme illustrée.  
D. Mettre une perte de calfatage de silicone (ou un calfatage convertible) autour du bord intérieur du boîtier de contrôle (le sommet, le fond et les côtés). Voir le détail "A" dans l'illustration. Ce scellera le cadre à la boîtier de contrôle.  
E. Appliquer une perte de calfatage de silicone (ou un calfatage convertible) scellera le cadre à la peau de la voiture.  
F. Fixer le charniera dans le boîtier de contrôle (sur le calfatage déjà appliqué) et être le cadre fermement à la boîtier de contrôle en utilisant les trois (3) vis de No. 8-15 x 3 1/2" fournies.  
G. Pousser le chauffe-eau dans l'ouverture encadrée jusqu'à ce que le côté arrière du charniera (maintenant attaché à la boîtier de contrôle) est contre le côté de la voiture et attacher fermement avec les vis autour du périmètre du cadre.  
NOTE: Les deux (2) trous dans le fond du cadre identifiés comme "A" dans la Figure 3 sont utilisés aussi de monter la charnière de la porte au cadre. Installer des cales de chaque côté du chauffe-eau, selon l'illustration de la Figure 9.  
I. Attacher la porte au cadre comme illustrée.  
J. Fermer la porte pour que le loquet saillisse à travers de la fente dans la porte.  
K. Tourner le loquet 90 degrés pour attacher la porte.  
La carte module sur les modèles SW4D, SW6D et SW6E n'est pas fixée au chauffe-eau. Il doit être monté en permanence par l'installateur.  
La carte module doit être montée à un endroit où c'est accessible pour l'entretien cependant hors de la portée des enfants. Elle doit être située dans un endroit où elle ne peut pas être soumise à l'humidité, les produits chimiques de nettoyage, les vapeurs inflammables et les liquides, etc.  
La carte ou tout câblage à la carte doivent être protégés pour empêcher les dégâts et le contact accidentel avec ces parties. La carte module peut être monté avec deux (2) vis de No. 6 x 5/8" ou d'autres quincaillerie convenable.





AIRXCEL, INC. - SUBURBAN DIVISION  
676 Broadway Street  
Dayton, Tennessee 37321  
423-775-2131  
www.Airxcel.com

TOUTES LES QUESTIONS TECHNIQUES ET LES QUESTIONS DE LA GARANTIE DOIVENT ÊTRE ADRESSÉES À LA SOCIÉTÉ MARQUÉE SUR LA GARANTIE, OU À LA PLAQUE SIGNALÉTIQUE QUI A ÉTÉ ENVOYÉE AVEC VOTRE CHAUFFE-EAU.

LE PROPRIÉTAIRE: GARDER CES INSTRUCTIONS ET LA GARANTIE POUR LA RÉFÉRENCE FUTURE.

L'INSTALLATEUR: COLLER CES INSTRUCTIONS À OU ADJACENT AU CHAUFFE-EAU.

UN ODEUR EST AJOUTÉ AU GAZ UTILISÉ PAR CET CHAUFFE-EAU.

**POUR VOTRE SÉCURITÉ**  
NE PAS EMMAGASINER OU UTILISER L'ESSENCE OU LES AUTRES MATIÈRES COMBUSTIBLES OU LES LIQUIDES PRÈS OU ADJACENT À CET CHAUFFE-EAU OU AUCUN AUTRE APPAREIL. CET APPAREIL NE DEVRA PAS ÊTRE INSTALLÉ DANS AUCUN EMBLACEMENT OÙ LES LIQUIDES INFLAMMABLES OU LES VAPEURS PEUVENT ÊTRE PRÉSENTS.

**AVERTISSEMENT: L'INSTALLATION, L'AJUSTEMENT, LA MODIFICATION, LE SERVICE OU L'ENTRETIEN IMPROPRE PEUT CAUSER LA BLESSURE OU LE DÉGÂT À LA PROPRIÉTÉ. VEUILLEZ VOUS RÉFÉRER À CE MANUEL POUR L'ASSISTANCE OU L'INFORMATION ADDITIONNELLE, CONSULTER UN INSTALLATEUR QUALIFIÉ, UNE AGENCE DE SERVICE OU LE FOURNISSEUR DE GAZ.**

**AVERTISSEMENT DE LA CONGÉLATION**  
VIDER ENTièrement LE CHAUFFE-EAU S'IL Y A DES TEMPÉRATURES DE CONGÉLATION.

- NE PAS ESSAYER D'ALLUMER AUCUN APPAREIL
- NE PAS TOUCHER AUCUN INTERRUPTEUR ÉLECTRIQUE: NE PAS UTILISER AUCUN TÉLÉPHONE DANS VOTRE VÉHICULE.
- APPELER IMMÉDIATEMENT VOTRE FOURNISSEUR DE GAZ DU TÉLÉPHONE D'UN VOISIN. SUIVRE LES INSTRUCTIONS DU FOURNISSEUR DE GAZ.
- SI VOUS NE POUVEZ PAS CONTACTER VOTRE FOURNISSEUR DE GAZ, APPELER LE SERVICE DES INCENDIES.

**POUR VOTRE SÉCURITÉ**  
CE QUI FAIRE SI VOUS SENTEZ LE GAZ

SW4DE Allumage par étincelle électrique direct et Élément  
SW6DE Allumage par étincelle électrique direct et Élément  
SW6DM Directe à allumage par étincelles et l'aide Moteur  
SW6DEM Allumage Direct Par Étincelle, Élément Électrique et l'aide Moteur  
POUR L'INSTALLATION DANS LES VÉHICULES DE RÉCRÉATION  
ET LE LOGEMENT MOBILE

SW4D Directe à allumage par étincelles  
SW6D Directe à allumage par étincelles

LES MODÈLES

LA VENTOUSE DIRECTE  
LE CHAUFFE-EAU DE GAZ

# LE MANUEL D'INSTALLATION ET D'UTILISATION

