

INSTRUCTION MANUAL
Pro Slider
Cequent Performance Products
PLYMOUTH, MI

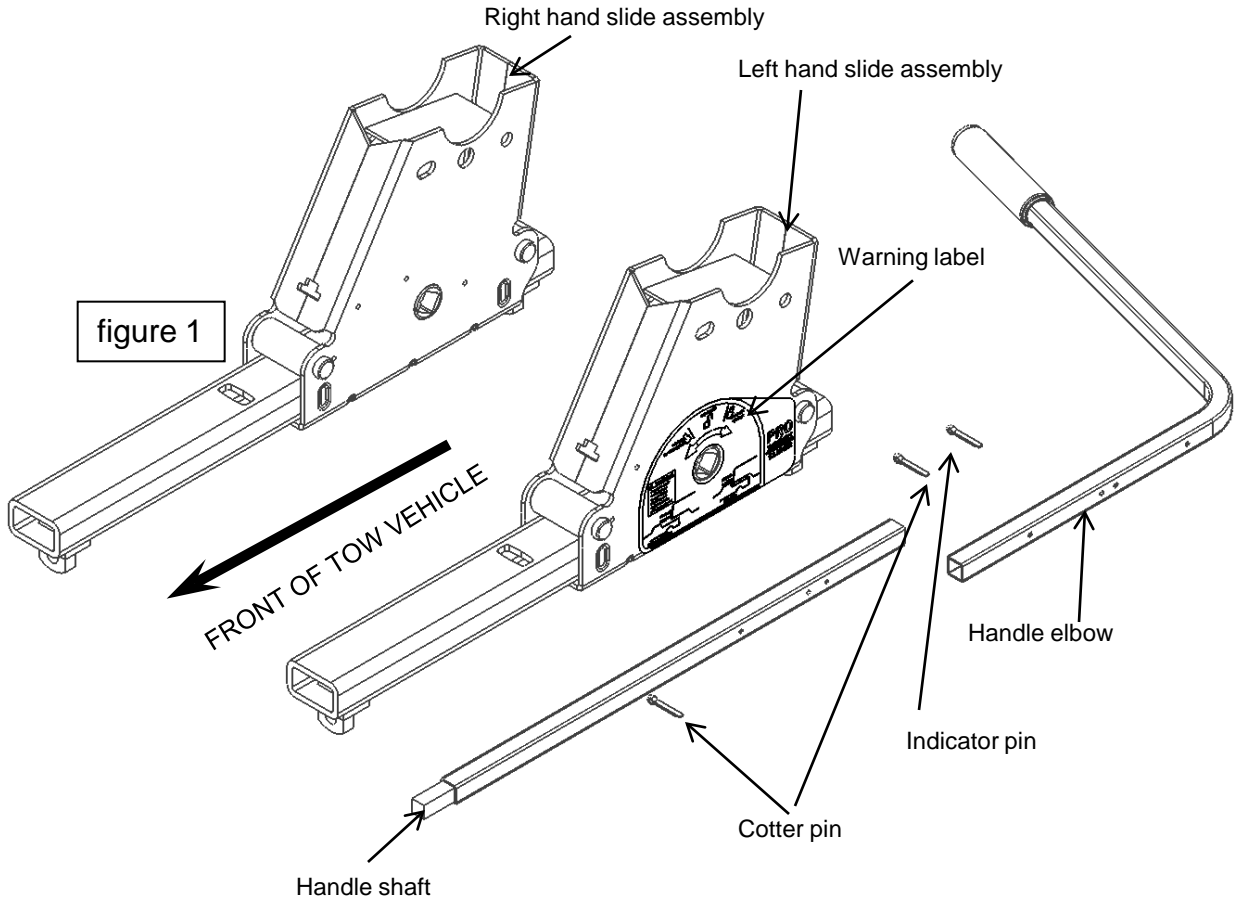
30092
FOR USE WITH
Pro Series
5TH Wheels

DEALER/INSTALLER:

- (1) Provide this Manual to end user.
- (2) Physically demonstrate sliding procedures in this Manual to end user.
- (3) Have end user demonstrate that he/she understands procedures.

END USER:

- (1) Read and follow this Manual every time you use this Pro Slider.
- (2) Save this Manual for future reference.
- (3) Pass on copies of Manual to any other user or owner of a Pro Slider.
- (4) Never remove the Pro Slider warning decal as shown on the cover of this manual. If damaged, contact Cequent Performance Products (1-888-521-0510) for free replacement decals.



⚠ WARNING:

Failure to follow these instructions may result in death or serious injury!

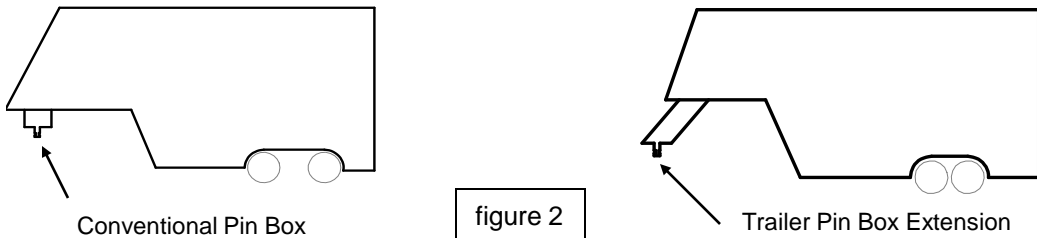
⚠ WARNING:

**Pro Slider hitches that are not properly locked can suddenly move and kill you!
To avoid death or serious injury:**

- **Never place any part of body in truck bed or between truck and trailer unless the following conditions are met :**
 - **Truck is in park with emergency brake on, and**
 - **Trailer landing gear is down and resting on firm ground, and**
 - **All trailer wheels are blocked on each side of wheel**
- **Always perform “push” or “pull test” by following instructions in this manual.**

BEFORE INSTALLATION

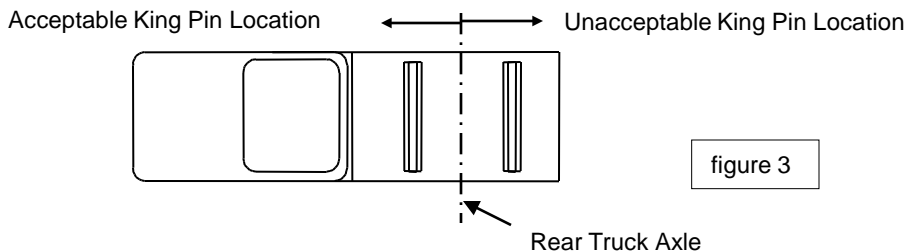
1. 5th wheel trailers are typically designed for use with long bed (8 foot) trucks. These trucks provide ample turning clearance between the truck cab and trailer front. Short bed trucks (less than 8 ft. but longer than 6 ft.) require additional turning clearance to avoid truck cab or trailer damage during normal turns. This is best accomplished through the use of a trailer pin box extension (see figure 2). Cequent Performance Products suggest the use of a minimum of a 13 inch pin box extension to be able to comfortably make normal turning maneuvers with a short bed truck. Contact your trailer manufacturer for pin box extension options.



⚠ CAUTION:

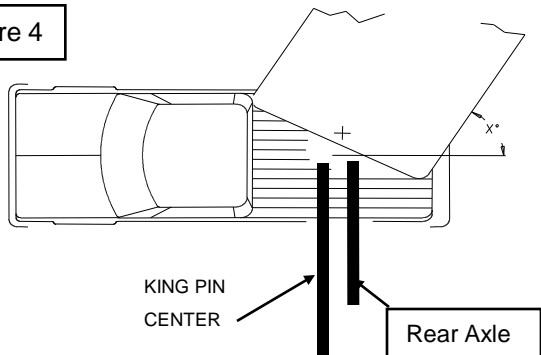
Turning clearance is reduced when towing with a short bed truck! This can result in trailer striking inside of truck bed. Always monitor truck cab and trailer clearance during turns. Failure to do so could result in significant property damage.

2. The Pro Slider is designed to be used with Cequent Performance Products 5TH WHEEL installations only. These installations are described in the Cequent Performance Products INSTALLATION INSTRUCTIONS BASE RAIL MOUNTING KIT (P/N 30095 or P/N 30035). These instructions specify the exact placement of the base rails in relation to the rear truck axle for most current pickup trucks.
3. The trailer king pin should always be directly above or slightly forward of the rear truck axle when towing. Trailers should never be towed with the trailer king pin rearward of the rear truck axle in highway conditions (see Fig. 3).



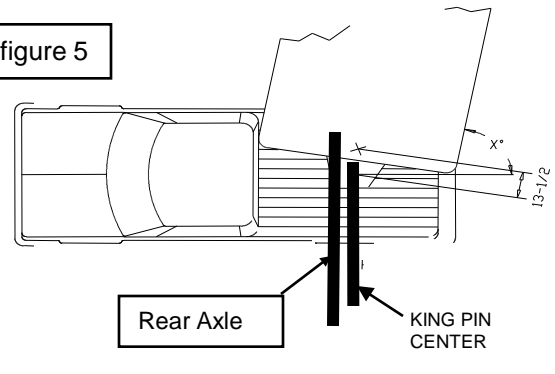
4. The Pro Slider provides additional turning clearance for low speed, off-highway maneuvering such as backing a RV trailer into a tight camp site. This is done by sliding the hitch 10 inches rearward of its normal Towing Position (figure 4) to a Maneuvering Position (figure 5). This places the trailer king pin behind the rear truck axle.

figure 4



In this figure, the Pro Slider is positioned in the **Towing Position**, forward of the rear axle. Note that a 13-1/2" pin box extension has been used. This is the only position you should use when towing!

figure 5



In this figure, the Pro Slider is positioned in the **Maneuvering Position**. Note that a 13-1/2" pin box extension has been used. The maneuvering Position should only be used at a low speed, when high maneuverability is needed!

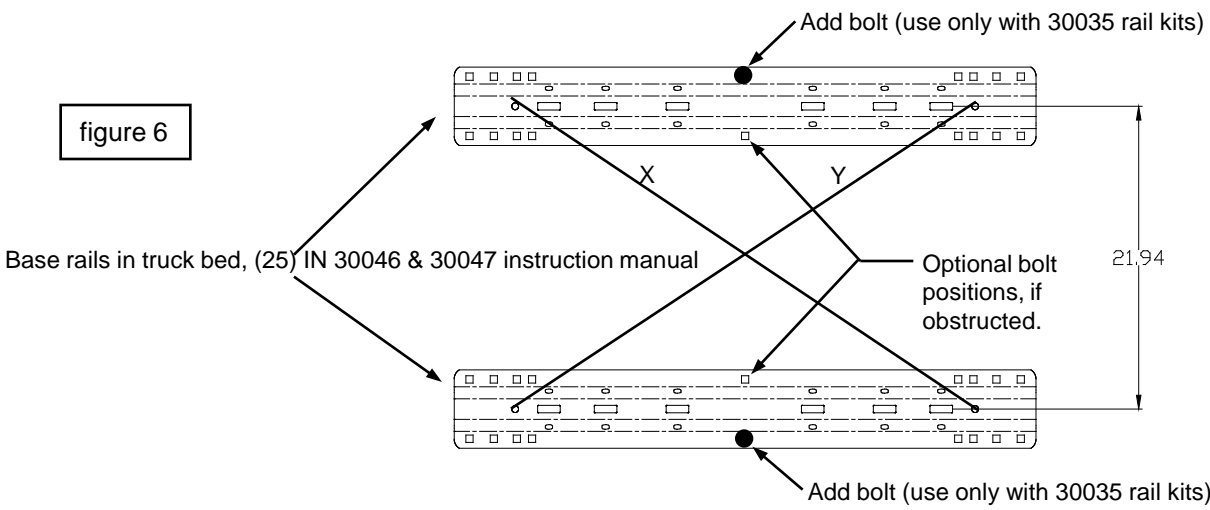
⚠ WARNING:

Never tow trailers in highway or high speed conditions with PRO Slider in the Maneuvering Position (rearward of the rear axle)! Towing with the trailer king pin rearward of rear truck axle can affect weight distribution and may interfere with the towing vehicle's handling and response characteristics. Poor handling and response characteristics could result in death or serious injury.

5. Due to the heavy duty nature of the Pro Slider assembly, the assembly may not slide by hand when installed, especially if base rails are not securely installed to be parallel and centered. Rails should be installed so that the center lines of each rail are 21.94 inches (21 15/16") apart (see figure 6). Diagonal dimensions "x" and "y" (as depicted in figure 6) should be within 0.1 inch (1/8") of each other. ***If this alignment is not met, loosen hardware and realign base rails. Retorque hardware per instructions after base rails are properly aligned.***

6. Drill 2 holes identified in figure 6 (check for obstructions). Drill all holes with 3/16" drill and enlarge them with a 17/32" drill. Always use sharp drill bits. Install 1/2" carriage bolts into holes. Install slotted spacer above or below bed to fill corrugations in bed floor, also add bolt plate below bed with washers and nut. These bolts are in addition to the 8 bolts used when installing base rails according to instructions 30035.

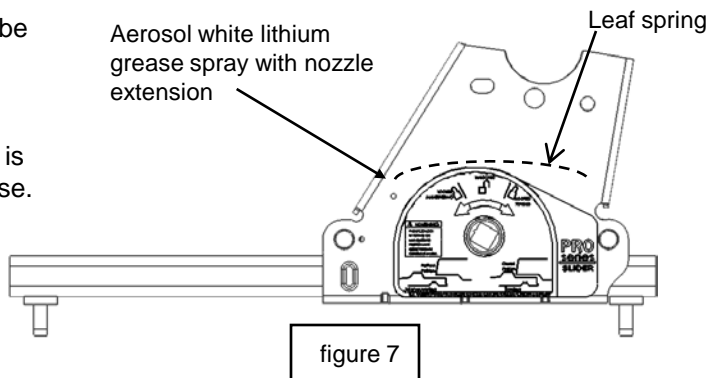
figure 6



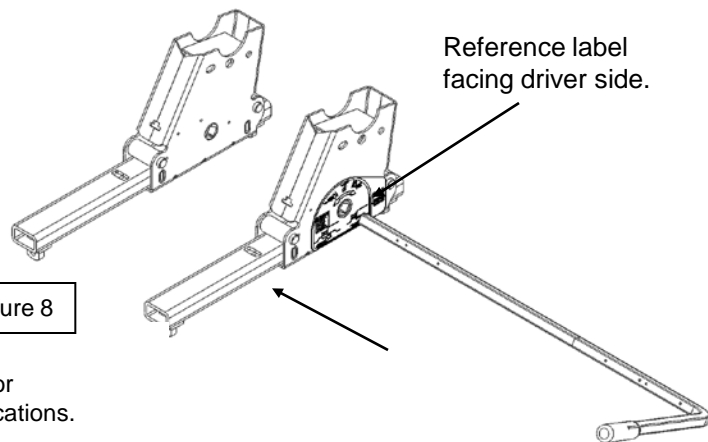
INSTALLATION

1. These instructions should be used to mount the Pro Slider. Care and attention to detail will ensure a quick, safe and quality installation. Check parts against figure 1 to become familiar with kit.

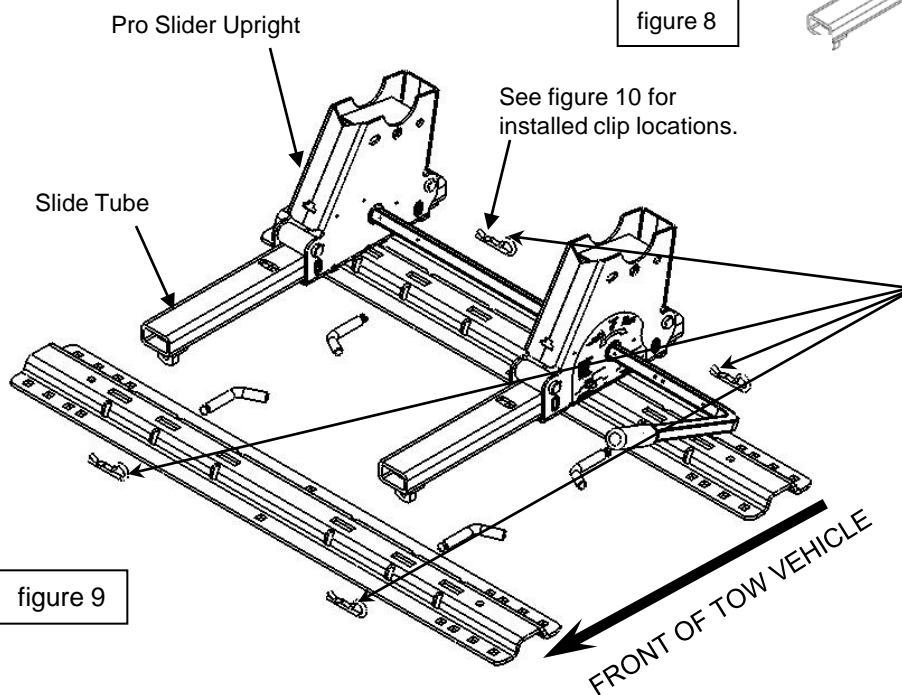
2. Before installing the Pro Slider, leaf spring must be greased as shown using white lithium grease or equivalent (see figure 7). For best results, use aerosol white lithium grease with a spray nozzle extension. Make sure entire underside of spring is coated! Repeat this application monthly during use.



3. Before setting the Pro Slider into the bed of the pickup, attach handle shaft to handle elbow (see figure 1 on first page). Insert handle assembly through left hand slide assembly (driver's side of towing vehicle) and then through the right hand side slide assembly (see figure 8).



4. Set the Pro Slider into base rails and pin in position with the Pro Series Slider in the middle of the tubes (see figure 9).



⚠ WARNING:
Pull pin spring clips must be on the outside of base rail as shown. Spring clips installed on the inside of base rail will not allow Pro – Series Slider to slide far enough to lock. Pro Sliders that are not properly locked can suddenly move and cause serious injury or death.

5. Loosely assemble head support to the Pro Slider at desired height.

Hardware will be staggered when assembled. (see figure 10)

NOTE: Bottom position may not be used on all hitch models.

Use 2 cotter pins provided to trap handle in place as shown. Install indicator pin in handle as shown. Install such that the indicator pin just goes through the bottom side of the handle. (see figure 10).

6. Use a two step procedure to tighten hardware

A. Start at a point and snug all hardware.

Do not overlook connections under bed at frame. Note sequence.

B. Using same start point and sequence, torque all hardware. Torque 1/2" bolts to 85 lb.ft.

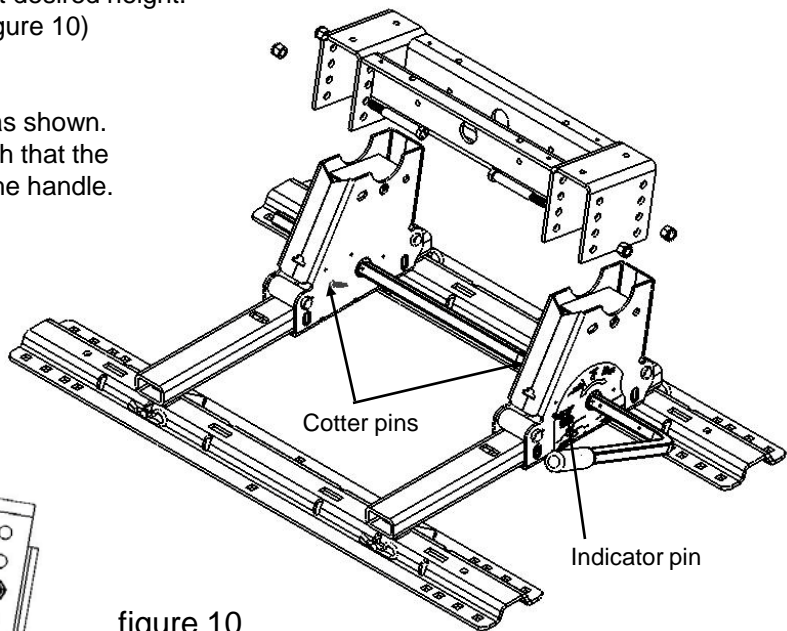
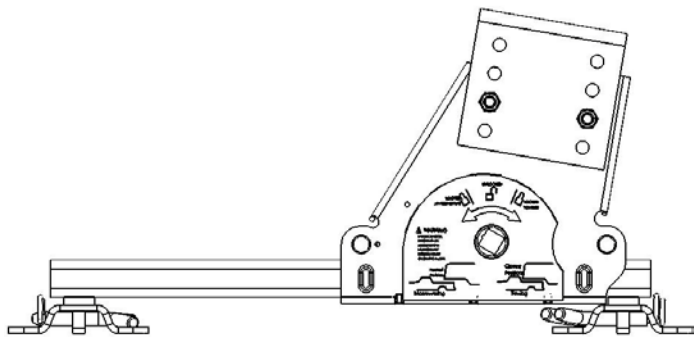


figure 10



7. Coat top & side surfaces of slide tube and roller holes (5 places) in each slider assembly with all purpose grease or teflon lube, use as needed (see figure 11). Repeat this application monthly during use.

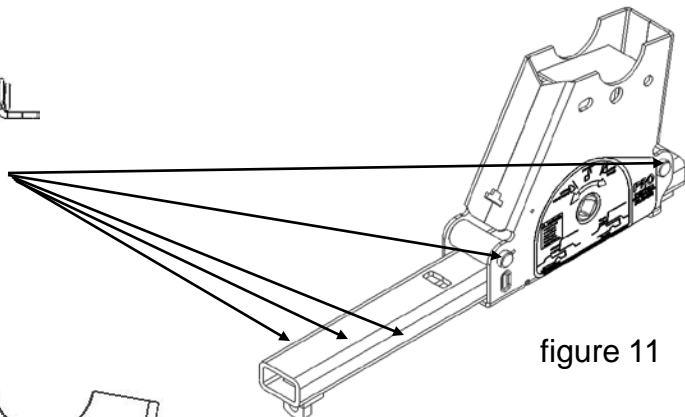


figure 11

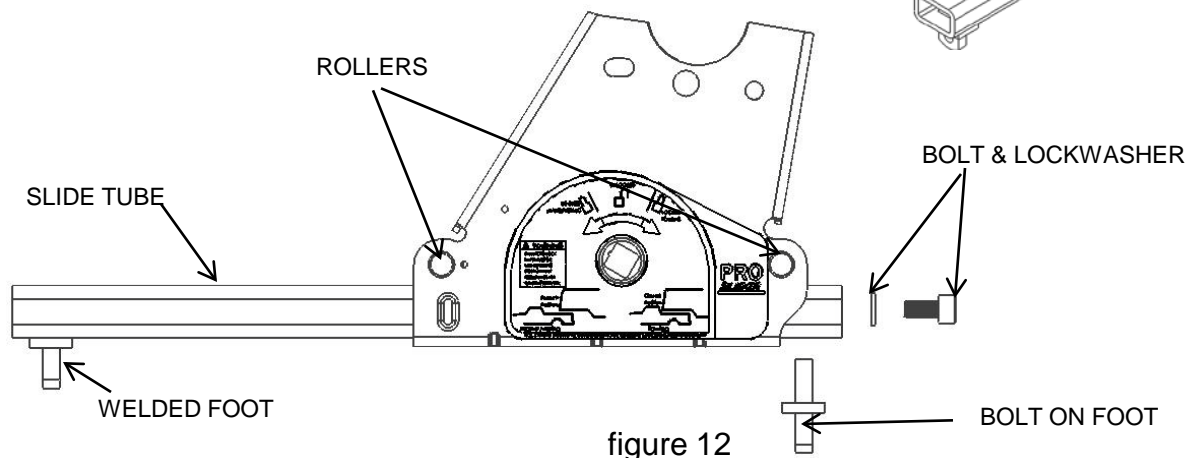


figure 12

⚠ WARNING:

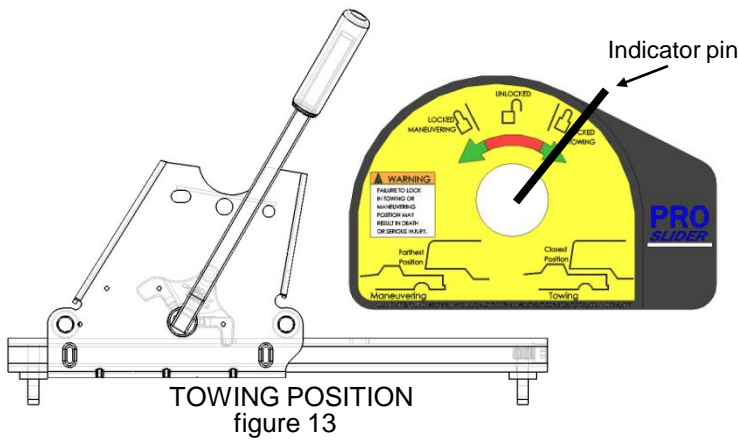
Pro Slider hitches that are not properly locked can suddenly move and kill you!

To avoid death or serious injury:

•Never place any part of body in truck bed or between truck and trailer unless the following conditions are met :

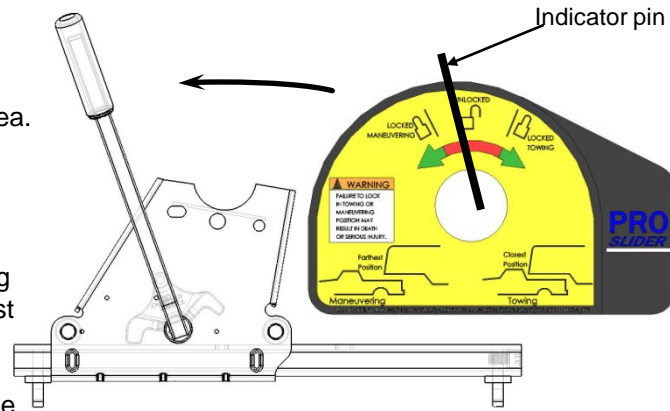
- All trailer tires **MUST** be blocked in front and behind each tire, **AND**
- Trailer landing gear **MUST** be resting on firm ground, **AND**
- Truck **MUST** be stationary, in park, with emergency brake on!

•Always perform "push" or "pull test" by following instructions in this manual.

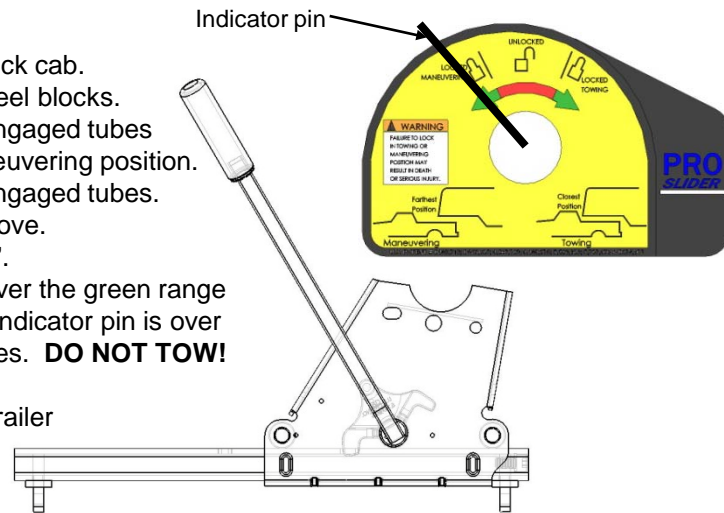


Leaf spring on latch cam keeps latch from disengaging. Hitch can not move rearward with latch engaged. Rearward load forces latch further into slot. Hitch can not move forward due to welded foot (see figures 1, 11 and 12).

←
FRONT OF TOW VEHICLE



MOVE TO MANEUVERING POSITION
Figure 14



MANEUVERING POSITION
Figure 15

MOVE FROM TOWING TO MANEUVERING POSITION

1. Position truck and trailer in a **straight line** on a flat, level area.
2. Place truck in "Park" with emergency brake "on".
3. Block front and back of all trailer wheels.
4. Lower trailer landing gear so it is resting on firm ground.
5. Pull handle forward (see figure 14). Indicator pin should be over red unlocked range near the green locked maneuvering range (see figure 14). Spring pressure will press latch against top of tube, the latch will lock into slot when the Pro Slider moves to the maneuvering position (see figure 15).
6. Return to truck. Release emergency brake. Manually engage trailer brake and pull truck forward until the Pro Slider stops at bolt in foot (figure 12) and latch engages in maneuvering position (see figure 15).
7. Perform "**PUSH TEST**" as follows:
 1. Manually engage trailer brakes from truck cab.
 2. Back truck into trailer against trailer wheel blocks.
 3. If the slider does not move, latch has engaged tubes and the slider should be locked in maneuvering position.
 4. If the slider does move, latch has not engaged tubes.

DO NOT TOW! Repeat steps 1 - 7 above.
8. Again, place truck in "Park" with emergency brake "on".
9. Examine warning label. Indicator pin should now be over the green range on the left side of the warning label (see figure 15). If indicator pin is over red range on warning label, latch has not engaged tubes. **DO NOT TOW!** Repeat steps 1- 7 above.
10. After successfully performing above steps, fully raise trailer landing gear (See trailer manual).
11. Remove and store all trailer wheel blocks.

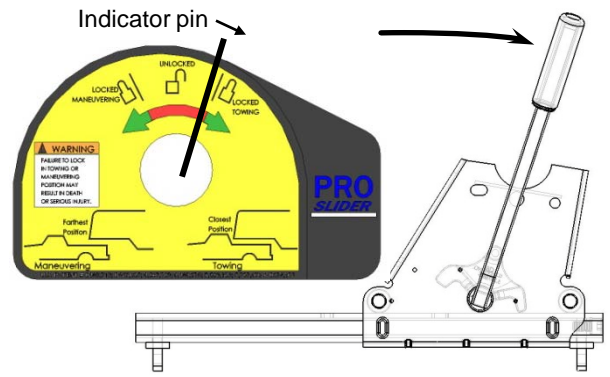
⚠️ WARNING:

Pro Slider hitches that are not properly locked can suddenly move and kill you!

To avoid death or serious injury:

- Never place any part of body in truck bed or between truck and trailer unless the following conditions are met :
 - All trailer tires **MUST** be blocked in front and behind each tire, **AND**
 - Trailer landing gear **MUST** be resting on firm ground, **AND**
 - Truck **MUST** be stationary, in park, with emergency brake on!
- Always perform "push" or "pull test" by following instructions in this manual.

1. Position truck and trailer in a **straight line** on a flat, level area.
2. Place truck in "Park" with emergency brake "on".
3. Block front and back of all trailer wheels.
4. Lower trailer landing gear so it is resting on firm ground.
5. Push handle rearward (see figure 16). Indicator pin should be over red unlocked range near the green locked towing range (see figure 16). Spring pressure will press latch against top of tube, the latch will lock into slot when the Pro Slider moves to the towing position (see figure 17).
6. Return to truck. Release emergency brake. Manually engage trailer brake and back truck rearward until the Pro Slider stops at the welded foot (figure 12) and latch engages in towing position (see figure 17).



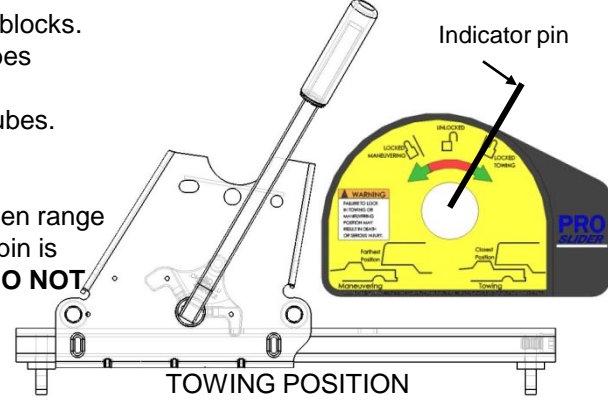
MOVE TO TOWING POSITION

Figure 16

7. Perform "**PULL TEST**" as follows:
 1. Manually engage trailer brakes from truck cab.
 2. Pull truck and trailer forward against trailer wheel blocks.
 3. If the slider does not move, latch has engaged tubes and the slider should be locked in towing position.
 4. If Kwik-Slide does move, latch has not engaged tubes.

DO NOT TOW! Repeat steps 1 - 7 above.

8. Again, place truck in "Park" with emergency brake "on".
9. Examine warning label. Indicator pin should now be over the green range on the right side of the warning label (see figure 17). If indicator pin is over red range on warning label, latch has not engaged tubes. **DO NOT**



TOWING POSITION

Figure 17

10. After successfully performing above steps, fully raise trailer landing gear (See trailer manual).
11. Remove and store all trailer wheel blocks.

⚠ WARNING:

**Pro Slider hitches that are not properly locked can suddenly move and kill you!
To avoid death or serious injury:**

- Never place any part of body in truck bed or between truck and trailer unless the following conditions are met :
 - All trailer tires **MUST** be blocked in front and behind each tire, **AND**
 - Trailer landing gear **MUST** be resting on firm ground, **AND**
 - Truck **MUST** be stationary, in park, with emergency brake on!
- Always perform "push" or "pull test" by following instructions in this manual.

THREE YEAR LIMITED WARRANTY

Cequent Performance Products warrants its Pro Series Slider from date of purchase against defects in material and workmanship under normal use and service, ordinary wear and tear excepted, for 3 years of ownership to the original consumer purchaser when a Cequent Performance Products mounting kit is used.

Products used by professional haulers are subject to Cequent Performance Products' limited One (1) year warranty.

Cequent Performance Products will replace free of charge any part which proves defective in material or workmanship when presented to any Cequent Performance Products dealer (consult local telephone directory) or Cequent Performance Products warehouse, or when returned to the factory, TRANSPORTATION CHARGES PREPAID, at the address below. THIS WARRANTY IS LIMITED TO DEFECTIVE PARTS REPLACEMENT ONLY. LABOR CHARGES AND/OR DAMAGE INCURRED IN INSTALLATION OR REPLACEMENT AS WELL AS INCIDENTAL AND CONSEQUENTIAL DAMAGES CONNECTED THEREWITH ARE EXCLUDED.

Some states do not allow the exclusion or limitation of incidental or consequential damages, so the above limitation or exclusion may not apply to you.

Any damage to the Pro Series Slider as a result of misuse, abuse, neglect, accident, improper installation, or any use violative of the instruction furnished by us WILL VOID THE WARRANTY.

This warranty gives you specific legal rights, and you may also have other rights which vary from state to state. In the event of a problem with warranty service or performance, you may be able to go to a small claims court, a state court, or a federal district court.

Cequent Performance Products, Inc.
47774 Anchor Court
Plymouth, MI 48170

MANUEL D'INSTRUCTIONS

Pro Slider

Cequent Performance Products
PLYMOUTH, MI

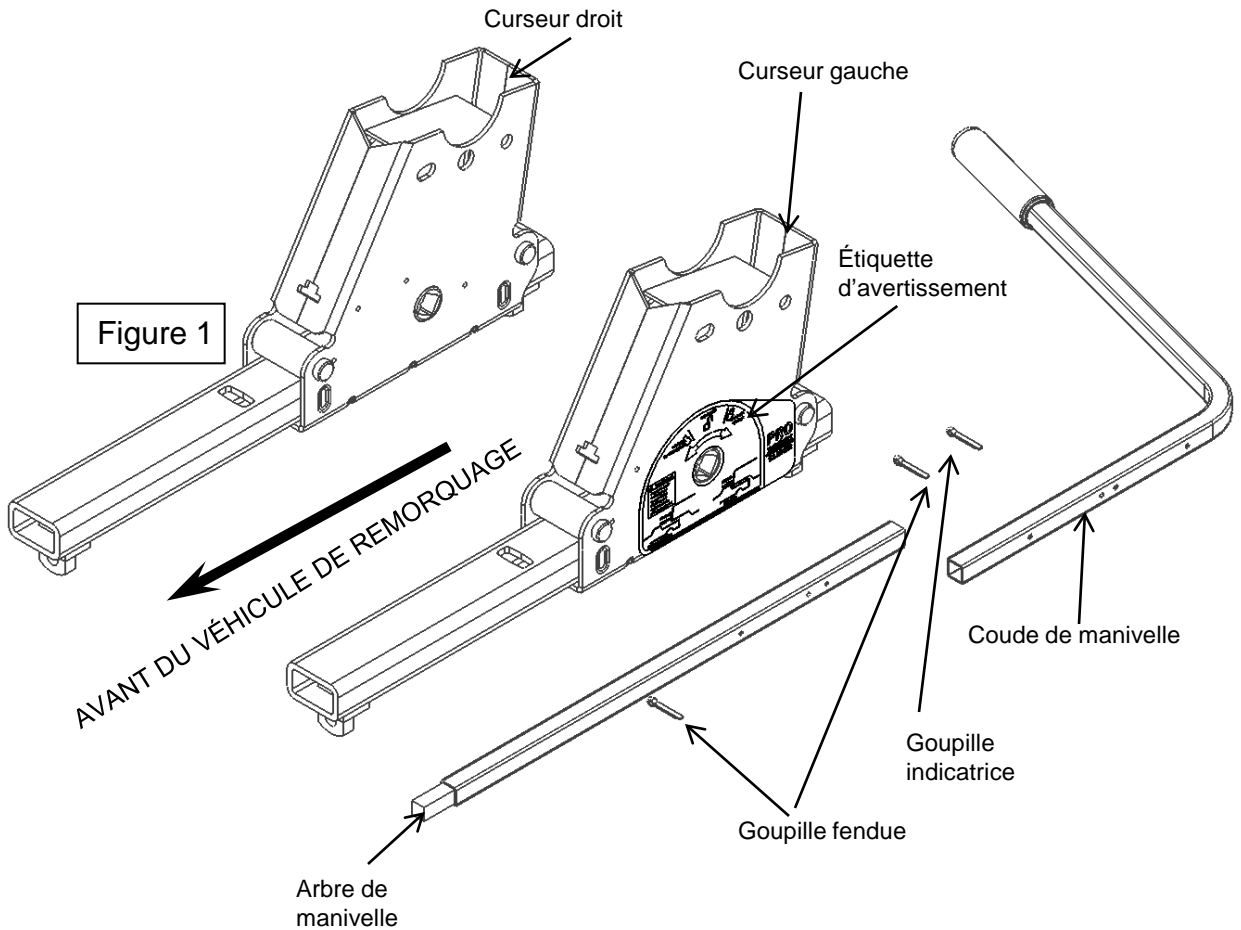
30092
POUR UTILISATION
AVEC
Sellette
Pro Series

CONCESSIONNAIRE/INSTALLATEUR :

- (1) Remettez ce manuel à l'utilisateur.
- (2) Démontrez physiquement à l'utilisateur les procédures de coulissement décrites dans ce manuel.
- (3) Demandez à l'utilisateur de démontrer qu'il comprend bien ces procédures.

UTILISATEUR FINAL :

- (1) Lisez ce manuel et observez ses consignes à chaque utilisation de Pro Slider.
- (2) Conservez ce manuel pour consultation ultérieure.
- (3) Remettez une copie du manuel à tout autre utilisateur ou propriétaire de Pro Slider.
- (4) Ne retirez jamais les décalcomanies d'avertissements de Pro Slider, tel qu'illustré sur la couverture de ce manuel. Si les décalcomanies sont endommagées, contactez CEQUENT PERFORMANCE PRODUCTS (1-888-521-0510) pour les remplacer gratuitement.



⚠ AVERTISSEMENT :

L'omission d'observer ces instructions peut causer des blessures sévères, voire la mort.

⚠ AVERTISSEMENT :

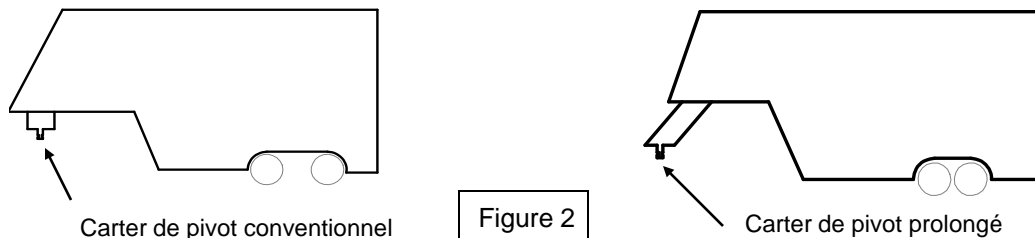
Un attelage Pro Slider qui n'est pas correctement verrouillé peut se déplacer brusquement et vous tuer !

Pour prévenir les blessures sévères ou la mort :

- **Ne placez jamais une partie du corps sur la plateforme de la camionnette ni entre la camionnette et la caravane, à moins que les conditions suivantes ne soient réunies :**
- **La camionnette est en position de stationnement avec frein à main actionné, et**
- **La béquille de la caravane est baissée et repose sur un sol ferme, et**
- **Toutes les roues de la caravane sont bloquées, de chaque côté de la roue.**
- **Effectuez toujours un essai en poussée ou en traction en observant les instructions dans ce manuel.**

AVANT L'INSTALLATION

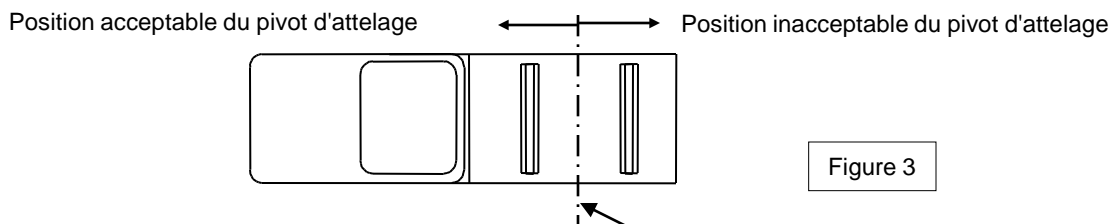
1. Les caravanes à sellette sont conçues habituellement pour utilisation avec camionnette à plateforme longue (8 pieds). Ces camionnettes procurent suffisamment de dégagement en virage entre la cabine de la camionnette et l'avant de la caravane. Les camionnettes à plateforme courte (moins de 8 pi mais plus de 6 pi) exigent un dégagement supplémentaire pour prévenir les dommages à la cabine ou à la caravane lors d'un virage normal. La meilleure façon de l'obtenir est d'utiliser un carter de pivot avancé pour la caravane (voir figure 2). Cequent Performance Products suggère d'utiliser un prolongement de carter de pivot de 13 pouces pour effectuer des virages normaux au volant d'une camionnette à plateforme courte. Communiquez avec le fabricant de la caravane pour connaître les options de prolongement de carter de pivot.



⚠ ATTENTION :

Le dégagement de virage est réduit lors d'un remorquage avec une camionnette à plateforme courte ! La caravane risque alors de percuter l'intérieur de la plateforme de la camionnette. Surveillez toujours les dégagements de la cabine et de la caravane lors des virages. L'omission d'observer ce conseil peut causer des dommages importants à la propriété.

2. Le Pro Slider est conçu uniquement pour le nécessaire de montage Cequent Performance Products servant à recevoir des attelages à sellette. Ce montage est décrit dans les instructions d'installation du **NÉCESSAIRE DE MONTAGE DES TRAVERSES** (N/P 30095 ou N/P 30035) de Cequent Performance Products. Ces instructions précisent l'emplacement exact des traverses par rapport à l'essieu arrière de la plupart des camionnettes récentes.
3. Le pivot d'attelage de la caravane doit toujours se situer directement au-dessus ou légèrement à l'avant de l'essieu arrière de la camionnette lors du remorquage. Les caravanes ne doivent jamais être remorquées avec un pivot d'attelage situé à l'arrière de l'essieu arrière lors d'un transport sur voies rapides (voir Fig. 3).



4. Le Pro Slider procure un dégagement supplémentaire pour les manoeuvres hors route à basse vitesse, par exemple lorsqu'il faut reculer la caravane sur un site de camping étroit. On fait alors glisser l'attelage de 10 pouces vers l'avant par rapport à la position de remorquage normale (figure 4), jusqu'à la position de manoeuvre (figure 5). Ce mouvement place le pivot d'attelage derrière l'essieu arrière de la camionnette.

Figure 4

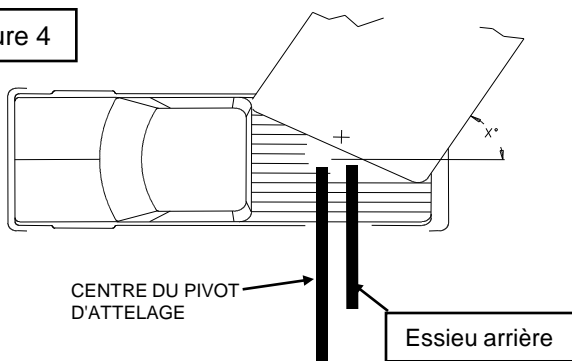
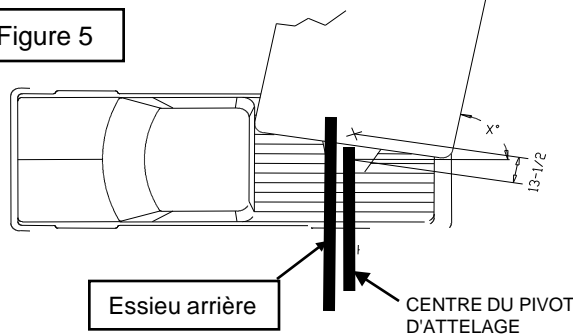


Figure 5



Dans cette figure, le Pro Slider est placé en **position de remorquage**, à l'avant de l'essieu arrière. Remarquez qu'un carter de pivot prolongé de 13-1/2 po a été utilisé. Il s'agit de la seule position à utiliser lors d'un remorquage !

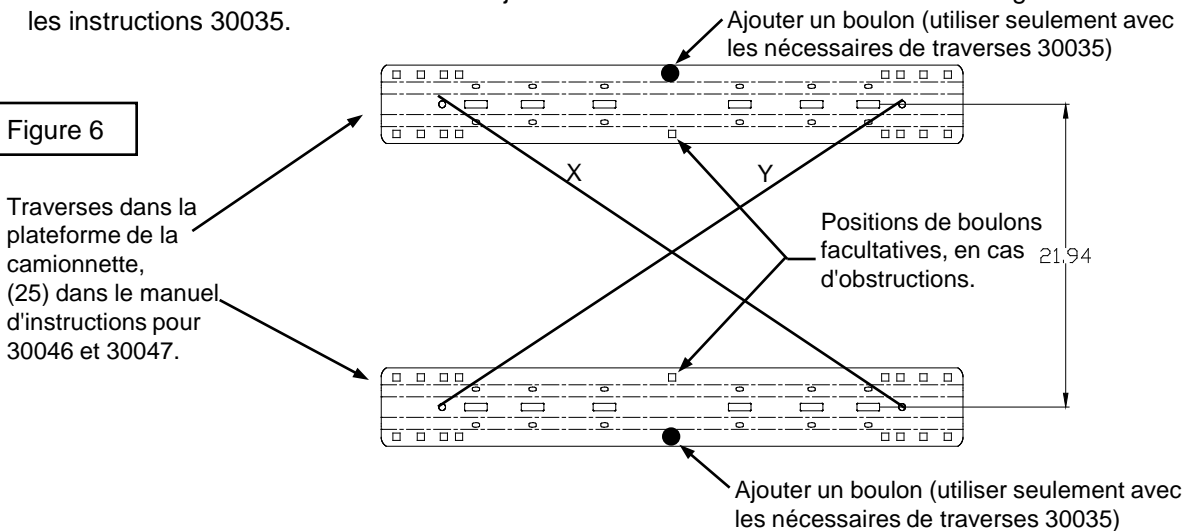
Dans cette figure, le Pro Slider est placé dans la **position de manoeuvre**. Remarquez qu'un carter de pivot prolongé de 13-1/2 po a été utilisé. La position de manoeuvre doit être utilisée seulement à basse vitesse, lorsqu'une grande manoeuvrabilité est nécessaire !

⚠ AVERTISSEMENT :

Ne remorquez jamais une caravane sur une autoroute ou à haute vitesse si le PRO Slider est à la position de manoeuvre (derrière l'essieu arrière) ! Remorquer avec le pivot d'attelage derrière l'essieu arrière de la camionnette affecte la distribution de la charge et peut gêner les fonctionnalités de manoeuvre du véhicule de remorquage. Des fonctionnalités de manoeuvre réduites peuvent causer des blessures graves, voire la mort.

- Étant donné le format pour usage intensif du Pro Slider, il se peut que les curseurs ne coulissent pas à la main une fois installés, en particulier si les traverses n'ont pas été bien fixées en parallèle et au centre. Les traverses doivent être montées de façon que leurs lignes de centre se trouvent à une distance de 21,94 pouces (21-15/16") l'une de l'autre (voir figure 6). La différence entre les longueurs "x" et "y" des diagonales (illustrées à la figure 6) ne doit pas varier de plus de 0,1 pouce (1/8 po). **Si cette précision n'est pas obtenue, desserrez les fixations et réalignez les traverses. Puis serrez de nouveau au couple spécifié une fois les traverses correctement alignées.**
- Percez 2 trous identifiés à la figure 6 (attention aux obstructions). Percez tous les trous à l'aide d'une perceuse 3/16 po puis agrandissez-les à l'aide d'une perceuse 17/32 po. Utilisez toujours des forets de perceuse affûtés. Insérez des boulons de carrosserie 1/2 po dans les trous. Posez un espaceur fendu au-dessus ou au-dessous de la plateforme pour remplir les ondulations du plancher, et ajouter une plaque de boulon sous la plateforme avec rondelles et écrou. Ces boulons s'ajoutent aux 8 boulons utilisés lors du montage des traverses d'après les instructions 30035.

Figure 6



INSTALLATION

1. Les instructions suivantes doivent être suivies pour le montage du Pro Slider. Un travail soigné et une attention aux détails procurera une installation rapide de qualité. Comparez les pièces avec celles qui sont énumérées à la figure 1 pour vous familiariser avec le nécessaire de montage.

2. Avant d'installer Pro Slider, le ressort à lames doit être graissé tel qu'illustré à l'aide d'une graisse au lithium ou l'équivalent (voir figure 7). Pour de meilleurs résultats, utilisez une graisse au lithium blanche, en aérosol doté d'une buse de vaporisation allongée. Assurez-vous que le dessous du ressort est enduit en entier ! Répétez l'application à chaque mois durant l'utilisation.

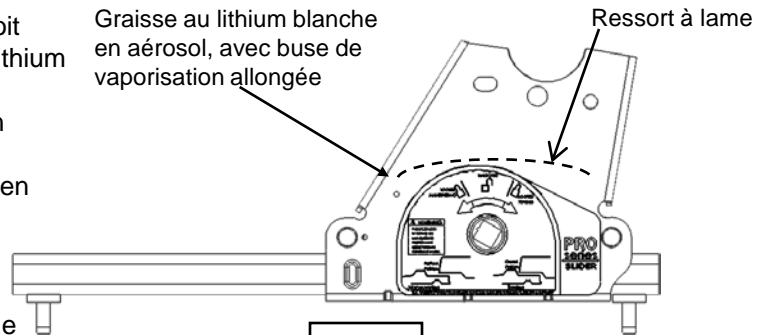


Figure 7

3. Avant de monter le Pro Slider sur la plateforme de la camionnette, fixez l'arbre de manivelle au coude de manivelle (voir la figure 1 sur la première page). Insérez l'assemblage de manivelle dans le curseur gauche (côté conducteur du véhicule de remorquage) puis dans le curseur droit (voir figure 8).

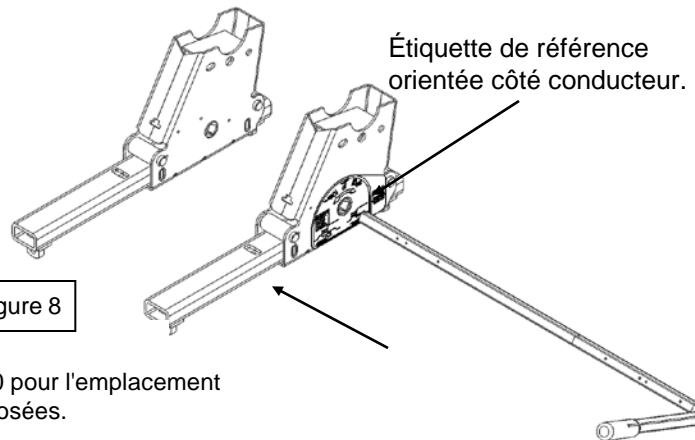


Figure 8

4. Montez le Pro Slider dans les traverses et goupille en position avec le Pro Series Slider dans le centre des tubes (voir figure 9).

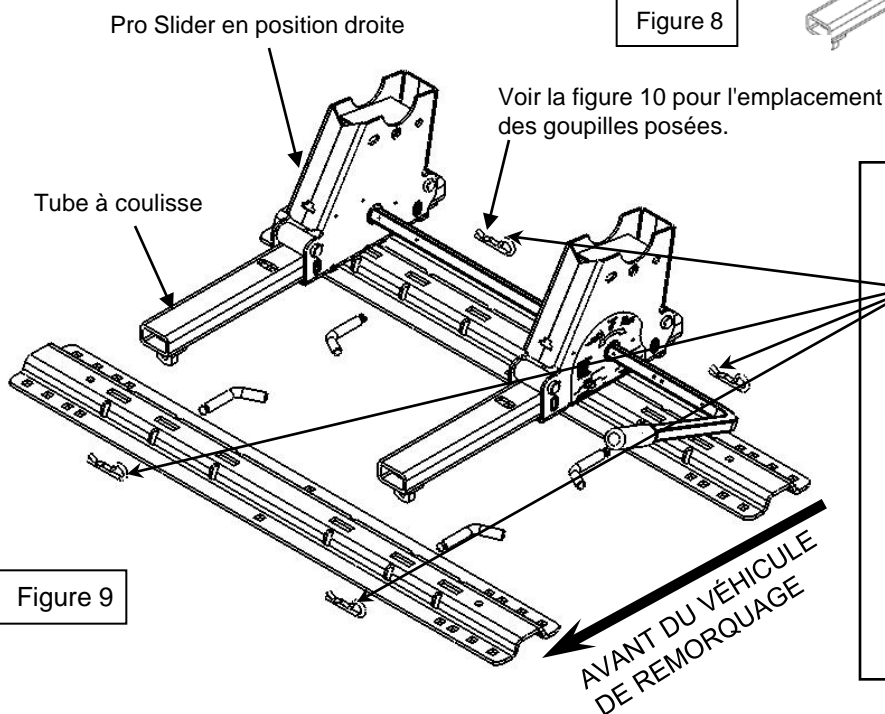


Figure 9

⚠ AVERTISSEMENT :
Les goupilles de cheville doivent se trouver sur l'extérieur de la traverse, comme illustré. Les goupilles posées sur l'intérieur de la traverse ne permettront pas au curseur Pro – Series Slider de glisser suffisamment loin pour se verrouiller. Des curseurs Pro Sliders incorrectement verrouillés peuvent se déplacer subitement et causer des blessures sévères, voire la mort.

5. Montez sans trop serrer le support de tête sur le Pro Slider à la hauteur voulue. La ferronnerie sera donc lâche une fois posée. (Voir la figure 10)

REMARQUE : Il se peut que la position basse ne puisse être utilisée sur tous les modèles d'attelage. Utilisez 2 goupilles fendues fournies pour maintenir la manivelle en place, comme illustré. Posez la goupille indicatrice dans la manivelle, comme illustré. Posez-la de façon qu'elle s'insère uniquement du côté inférieur de la manivelle. (Voir la figure 10).

6. Suivez une procédure en deux étapes pour serrer la ferronnerie :

A. Commencez à un point et serrez toute la ferronnerie.

N'oubliez pas les connexions sous la plateforme sur le cadre. Notez la séquence.

B. Depuis le même point de départ et la même séquence, serrez toute la ferronnerie à la clé dynamométrique. Serrez les boulons 1/2 po au couple de 85 lb.pi.

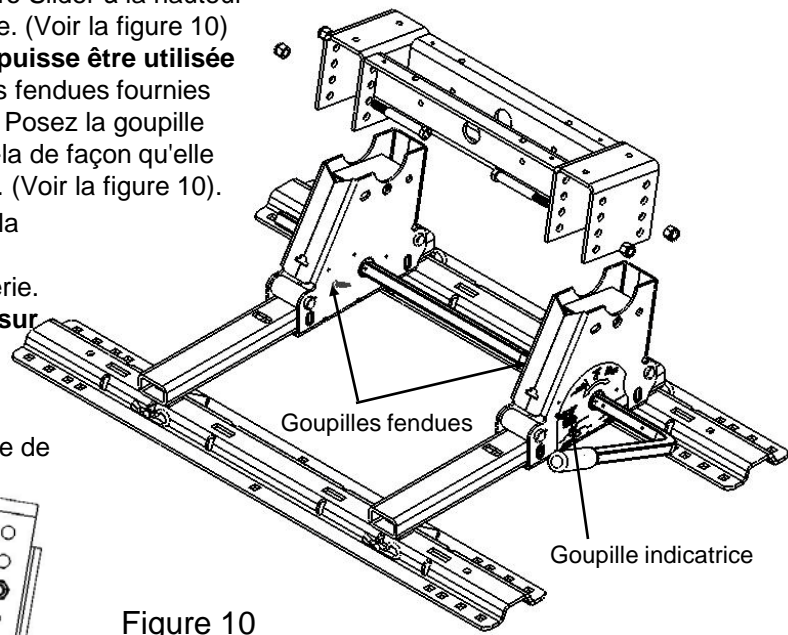
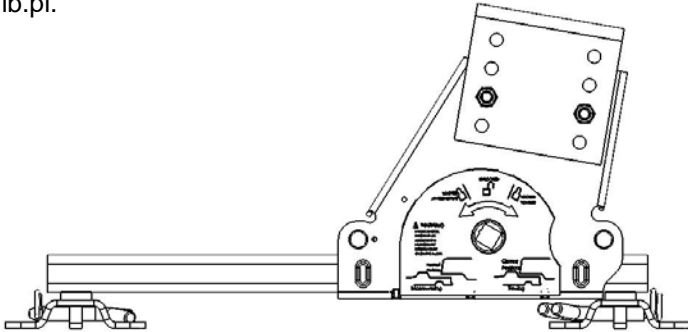


Figure 10



7. Enduisez les surfaces supérieure et latérales du tube à coulisse ainsi que les orifices des rouleaux (5 endroits) de chaque ensemble de curseur à l'aide d'une graisse tous usages ou d'un lubrifiant au teflon, appliquer au besoin (voir figure 11). Répétez l'application à chaque mois durant l'utilisation.

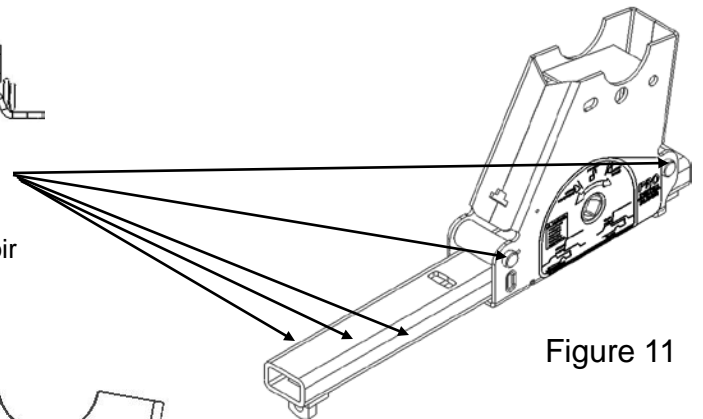


Figure 11

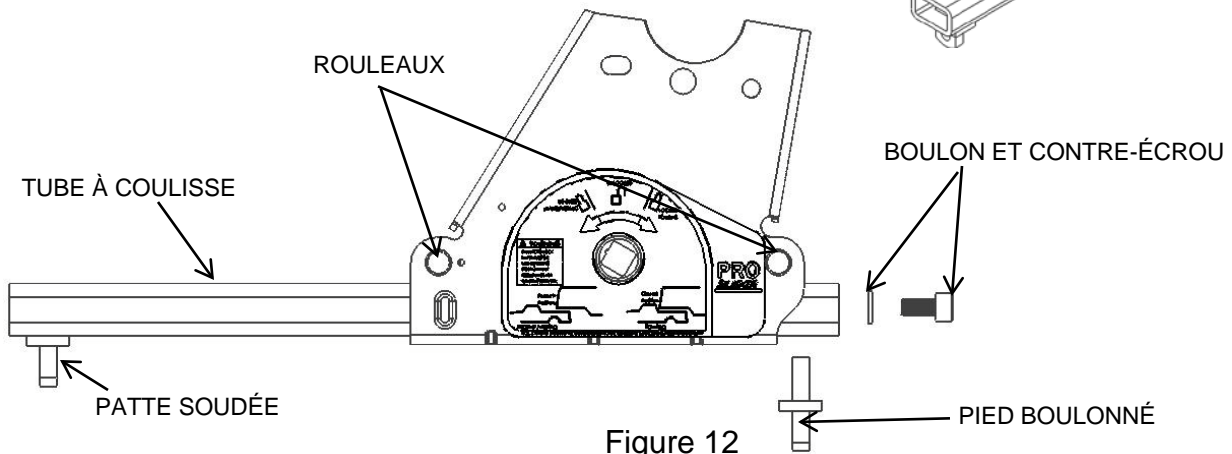


Figure 12

⚠ AVERTISSEMENT :

**Un attelage Pro Slider qui n'est pas correctement verrouillé peut se déplacer brusquement et vous tuer !
Pour prévenir les blessures sévères ou la mort :**

- **Ne placez jamais une partie du corps sur la plateforme de la camionnette ni entre la camionnette et la caravane, à moins que les conditions suivantes ne soient réunies :**
 - **Tous les pneus de caravane DOIVENT être bloqués à l'avant et l'arrière de chaque pneu, ET**
 - **La béquille de caravane DOIT reposer sur un sol ferme, ET**
 - **La camionnette DOIT être immobile à la position de stationnement, frein à main actionné !**
- **Effectuez toujours un essai en poussée ou en traction en observant les instructions dans ce manuel.**

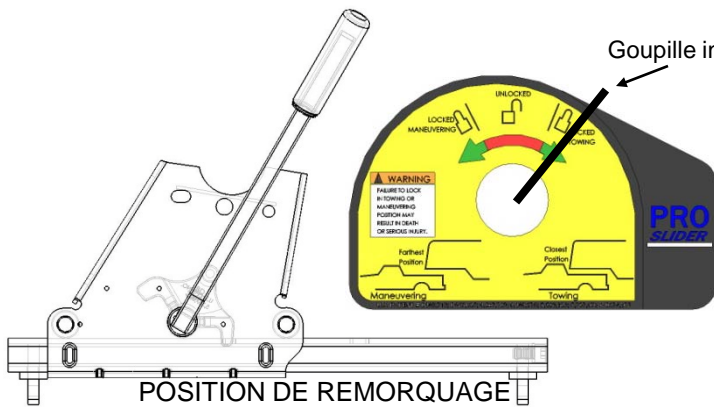


Figure 13

DÉPLACEMENT DE LA POSITION DE REMORQUAGE À LA POSITION DE MANOEUVRE

1. Placez la camionnette et la caravane en **ligne droite** sur un sol plat et de niveau.
2. Placez la camionnette en position de stationnement avec frein à main actionné.
3. Bloquez toutes les roues avant et arrière de la caravane.
4. Abaissez la béquille de la caravane de façon qu'elle repose sur un sol ferme.
5. Tirez vers l'avant sur la manivelle (voir figure 14). La goupille indicatrice doit se trouver au-dessus de la zone "déverrouillage" en rouge, à proximité de la zone de manoeuvre "verrouillage" en vert (voir figure 14). La pression du ressort presse le verrou contre le haut du tube, et le verrou se verrouille dans la fente lorsque le Pro Slider se déplace à la position de manoeuvre (voir figure 15).
6. Retournez dans la camionnette. Relâchez le frein à main. Engagez manuellement le frein de la caravane et avancez la camionnette jusqu'à ce que le Pro Slider s'arrête au boulon du pied (figure 12) et que le verrou s'engage dans la position de manoeuvre (voir figure 15).

7. Exécutez "L'ESSAI EN TRACTION" de la manière suivante :
 1. Engagez manuellement les freins de la caravane depuis la cabine de la camionnette.
 2. Reculez la camionnette contre les cales de blocage des roues de la caravane.
 3. Si le curseur ne se déplace pas, le verrou s'est engagé sur les tubes et le curseur doit être verrouillé en position de manoeuvre.
 4. Si le curseur se déplace, le verrou ne s'est pas engagé sur les tubes.

NE PAS REMORQUER ! Répétez les étapes 1 à 7 ci-dessus.
8. Encore une fois, placez la camionnette en position de stationnement avec frein à main actionné.
9. Lisez l'étiquette d'avertissement. La goupille indicatrice devrait maintenant se trouver au-dessus de la zone verte, du côté gauche de l'étiquette d'avertissement (voir la figure 15). Si la goupille indicatrice se trouve au-dessus de la zone rouge sur l'étiquette d'avertissement, le verrou ne s'est pas engagé sur les tubes. **NE PAS REMORQUER !** Répétez les étapes 1 à 7 ci-dessus.
10. Une fois les étapes ci-dessus réussies, remontez totalement la béquille de la caravane (voir le manuel de la caravane).
11. Retirez et rangez toutes les cales de blocage des roues de la caravane.

Le ressort à lames sur la came de verrou empêche le déverrouillage du verrou. L'attelage ne peut se déplacer vers l'arrière lorsque le verrou est enclenché. La charge arrière force le verrou à pénétrer plus profondément dans la fente. L'attelage ne peut se déplacer vers l'avant à cause du pied soudé (voir les figures 1, 11 et 12).

←
AVANT DU VÉHICULE DE REMORQUAGE

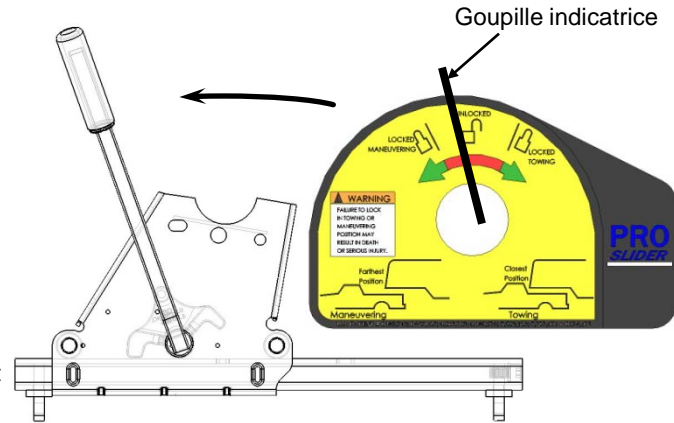


Figure 14

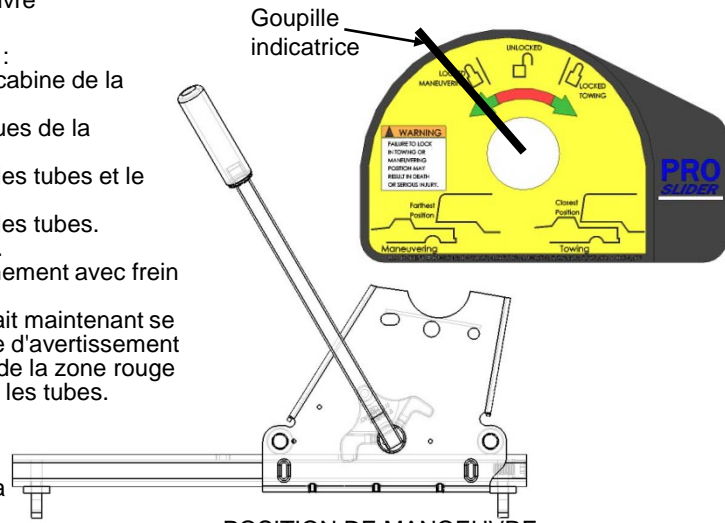


Figure 15

⚠ AVERTISSEMENT :

Un attelage Pro Slider qui n'est pas correctement verrouillé peut se déplacer brusquement et vous tuer !

Pour prévenir les blessures sévères ou la mort :

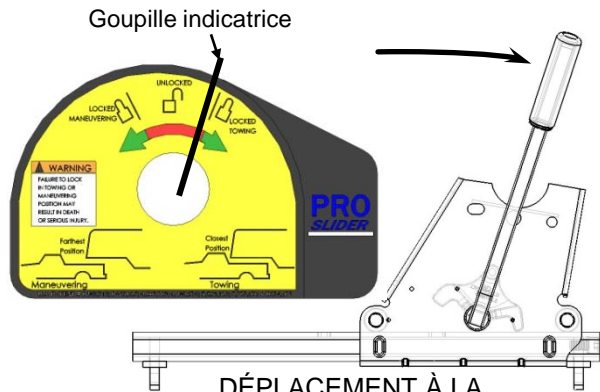
• **Ne placez jamais une partie du corps sur la plateforme de la camionnette ni entre la camionnette et la caravane, à moins que les conditions suivantes ne soient réunies :**

- **Tous les pneus de caravane DOIVENT être bloqués à l'avant et l'arrière de chaque pneu, ET**
- **La béquille de caravane DOIT reposer sur un sol ferme, ET**
- **La camionnette DOIT être immobile à la position de stationnement, frein à main actionné !**
- **Effectuez toujours un essai en poussée ou en traction en observant les instructions dans ce manuel.**

DÉPLACEMENT DE LA POSITION DE MANOEUVRE À LA POSITION DE REMORQUAGE

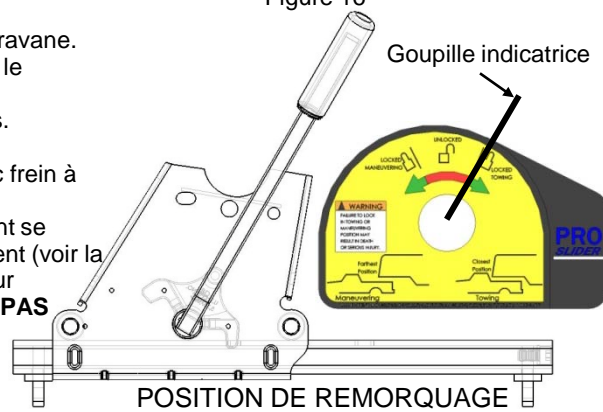
AVANT DU VÉHICULE DE REMORQUAGE

1. Placez la camionnette et la caravane en ligne droite sur un sol plat et de niveau.
2. Placez la camionnette en position de stationnement avec frein à main actionné.
3. Bloquez toutes les roues avant et arrière de la caravane.
4. Abaissez la béquille de la caravane de façon qu'elle repose sur un sol ferme.
5. Poussez sur la manivelle vers l'avant (voir figure 16). La goupille indicatrice doit se trouver au-dessus de la zone "déverrouillage" en rouge, à proximité de la zone de remorquage "verrouillage" en vert (voir figure 16). La pression du ressort presse le verrou contre le haut du tube, et le verrou se verrouille dans la fente lorsque le Pro Slider se déplace à la position de remorquage (voir figure 17).
6. Retournez dans la camionnette. Relâchez le frein à main. Engagez manuellement le frein de la caravane et reculez la camionnette jusqu'à ce que le Pro Slider s'arrête au pied boulonné (figure 12) et que le verrou s'engage dans la position de remorquage (voir figure 17).
7. Exécutez "L'ESSAI EN TRACTION" de la manière suivante :
 1. Engagez manuellement les freins de la caravane depuis la cabine de la camionnette.
 2. Avancez la camionnette contre les cales de blocage des roues de la caravane.
 3. Si le curseur ne se déplace pas, le verrou s'est engagé sur les tubes et le curseur doit être verrouillé en position de remorquage.
 4. Si le Kwik-Slide se déplace, le verrou ne s'est pas engagé sur les tubes.
8. **NE PAS REMORQUER !** Répétez les étapes 1 à 7 ci-dessus.
9. Encore une fois, placez la camionnette en position de stationnement avec frein à main actionné.
10. Lisez l'étiquette d'avertissement. La goupille indicatrice devrait maintenant se trouver au-dessus de la zone verte, du côté droit de l'étiquette d'avertissement (voir la figure 17). Si la goupille indicatrice se trouve au-dessus de la zone rouge sur l'étiquette d'avertissement, le verrou ne s'est pas engagé sur les tubes. **NE PAS REMORQUER !** Répétez les étapes 1 à 7 ci-dessus.
11. Une fois les étapes ci-dessus réussies, remontez totalement la béquille de la caravane (voir le manuel de la caravane).
12. Retirez et rangez toutes les cales de blocage des roues de la caravane.



DÉPLACEMENT À LA POSITION DE REMORQUAGE

Figure 16



POSITION DE REMORQUAGE

Figure 17

⚠️ AVERTISSEMENT :

Un attelage Pro Slider qui n'est pas correctement verrouillé peut se déplacer brusquement et vous tuer !

Pour prévenir les blessures sévères ou la mort :

- **Ne placez jamais une partie du corps sur la plateforme de la camionnette ni entre la camionnette et la caravane, à moins que les conditions suivantes ne soient réunies :**
 - **Tous les pneus de caravane DOIVENT être bloqués à l'avant et l'arrière de chaque pneu, ET**
 - **La béquille de caravane DOIT reposer sur un sol ferme, ET**
 - **La camionnette DOIT être immobile à la position de stationnement, frein à main actionné !**
- **Effectuez toujours un essai en poussée ou en traction en observant les instructions dans ce manuel.**

GARANTIE LIMITÉE DE TROIS ANS

CEQUENT PERFORMANCE PRODUCTS garantit le Pro Series Slider contre les vices de matériaux et de fabrication dans le cadre d'un usage et d'un entretien normal, usure normale exceptée, et ce pendant une période de trois (3) ans à compter de la date d'achat du consommateur d'origine, et à condition qu'un nécessaire de montage de CEQUENT PERFORMANCE PRODUCTS soit utilisé.

Les produits utilisés par les transporteurs professionnels ne sont couverts que par la garantie limitée d'un (1) an de Cequent Performance Products.

CEQUENT PERFORMANCE PRODUCTS remplacera sans frais toute pièce comportant un vice de matière ou de fabrication lorsque présentée à n'importe quel concessionnaire CEQUENT PERFORMANCE PRODUCTS (consulter le bottin téléphonique local) ou entrepôt CEQUENT PERFORMANCE PRODUCTS; ou encore lorsque retournée à l'usine, FRAIS DE TRANSPORT PRÉPAYÉ, à l'adresse ci-dessous. **CETTE GARANTIE SE LIMITE AU REMPLACEMENT DES PIÈCES DÉFECTUEUSES SEULEMENT. ELLE NE COUVRE NI LES FRAIS DE MAIN-D'ŒUVRE, NI LES DOMMAGES SUBIS LORS DE L'INSTALLATION OU DU REMPLACEMENT, Y COMPRIS LES DOMMAGES ACCESSOIRES OU INDIRECTS.**

Certaines provinces ne permettant pas d'exclure ou de restreindre les dommages accessoires ou indirects, il se peut que la restriction ou l'exclusion ci-dessus ne vous concerne pas.

Tout dommage au Pro Series Slider attribuable à une mauvaise utilisation, un usage abusif, la négligence, un accident, une installation inadéquate, ou à toute utilisation contraire aux instructions fournies par nous, ANNULERA LA GARANTIE.

Certains droits particuliers vous sont dévolus en vertu de la présente garantie et peuvent s'accompagner d'autres droits qui varient selon votre lieu de résidence. Dans l'éventualité d'un problème avec le service de la garantie ou le rendement du produit, il se peut que vous puissiez recourir à la cour des petites créances ou une autre cour de niveau provincial ou fédéral.

Cequent Performance Products, Inc.
47774 Anchor Court
Plymouth, MI 48170

MANUAL DE INSTRUCCIONES

Pro Slider (Deslizador)

Cequent Performance Products

PLYMOUTH, MI

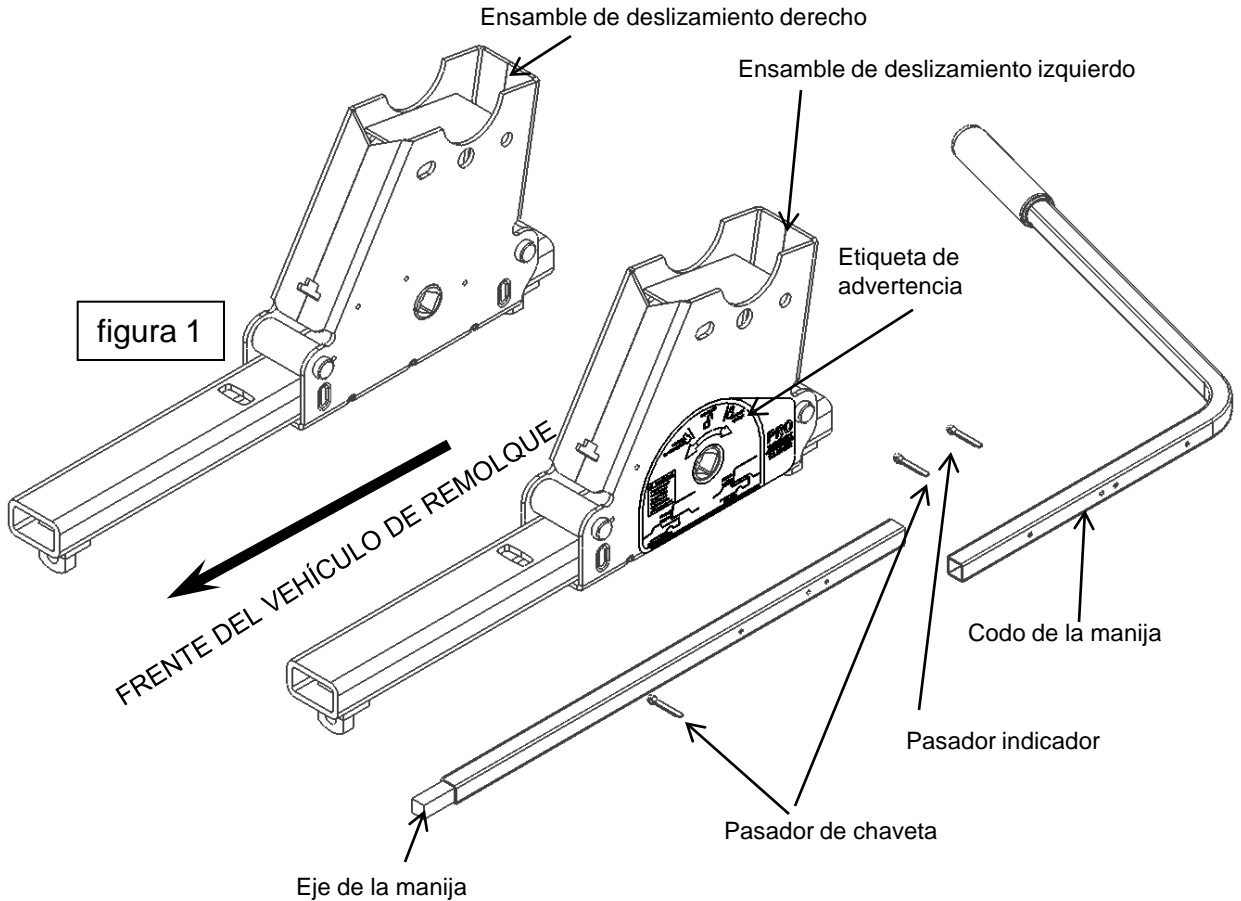
30092
PARA USO CON
QUINTA RUEDA
Serie Pro

DISTRIBUIDOR/INSTALADOR:

- (1) Entregue este Manual al usuario final.
- (2) Demuestre físicamente los procedimientos en este Manual al usuario final.
- (3) Pida al usuario final que le demuestre que entiende los procedimientos.

USUARIO FINAL:

- (1) Lea y siga este Manual cada vez que usted use este Pro Slider.
- (2) Guarde este Manual para referencia futura.
- (3) Pase copias de este Manual a otro usuario o propietario del Pro Slider.
- (4) Nunca quite la calcomanía de advertencia del Pro Slider como se muestra en la portada de este manual. Si se daña contacte a Cequent Performance Products (1-888-521-0510) para calcomanías de repuesto gratis.



⚠ ADVERTENCIA:

¡No seguir estas instrucciones, podría resultar en muerte o lesión grave!

⚠ ADVERTENCIA :

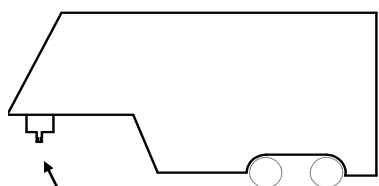
¡Los enganches Pro Slider que no se bloqueen correctamente se pueden mover repentinamente y causar la muerte! Para evitar la muerte o lesiones severas:

• Nunca coloque ninguna parte del cuerpo en la base del vehículo o entre el vehículo y el remolque a menos que se cumplan las siguientes condiciones:

- El vehículo está estacionado con el freno de emergencia activado y**
- El tren de apoyo del remolque está abajo y apoyando firmemente en el piso, y**
- Todas las ruedas del remolque están bloqueadas en cada lado de la rueda**
- Siempre realice pruebas de “empujar” y “halar” siguiendo las instrucciones de este manual.**

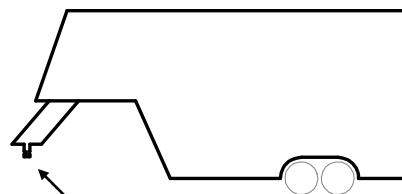
ANTES DE LA INSTALACIÓN

- Los remolques de 5ta. rueda normalmente están diseñados para usar con vehículos de base larga (8 pies). Estos vehículos ofrecen amplio despeje para girar entre la cabina y el frente del remolque. Los vehículos de base corta (menos de 8 pies pero más de 6 pies) requieren despeje adicional para girar y evitar daños a la cabina o remolque durante los giros normales. Esto se logra mejor mediante el uso de una extensión de caja conectora del remolque (ver figura 2). Cequent Performance Products sugiere el uso de una extensión de caja conectora de un mínimo de 13 pulgadas para poder hacer cómodamente las maniobras de giro normales con un vehículo de base corta. Contacte a nuestro fabricante del remolque para opciones de extensión de cajas conectoras.



Caja conectora convencional

figura 2



Extensión de caja conectora del remolque

⚠ PRECAUCIÓN:

¡El despeje para giro se reduce cuando se remolca con un vehículo de base corta! Esto puede resultar en que el remolque golpee al interior de la base del vehículo. Siempre vigile el despeje de la cabina del vehículo y el remolque durante los giros. No hacerlo podría resultar en daños materiales importantes.

- El Pro Slider está diseñado para usarse con instalaciones de QUINTA RUEDA de Cequent Performance Products únicamente. Estas instalaciones se describen en LAS INSTRUCCIONES DE INSTALACIÓN del KIT DE MONTAJE DE LARGUROS BASE de Cequent Performance Products (P/N 30095 o P/N 30035). Estas instrucciones especifican la ubicación exacta de los largueros base respecto al eje posterior del vehículo para la mayoría de los vehículos pickup actuales.
- El king pin del remolque siempre debe estar directamente por encima o ligeramente adelante del eje posterior del vehículo cuando se remolca. Los remolques nunca se deben remolcar con el king pin hacia atrás del eje posterior del vehículo en carretera (ver Fig. 3).

Ubicación aceptable del King Pin ← → Ubicación inaceptable del King Pin

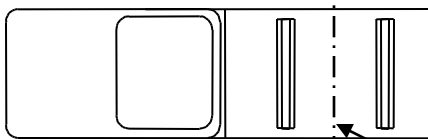


figura 3

Eje posterior del vehículo

4. El Pro Slider permite despeje adicional de giro para maniobras de baja velocidad, fuera de la carretera como reversar un remolque RV dentro de un sitio de acampar estrecho. Esto se hace al deslizar el enganche 10 pulgadas hacia atrás de su posición normal de remolque (figura 4) a una posición de maniobra (figura 5). Esto coloca el king pin del remolque detrás del eje posterior del vehículo.

figura 4

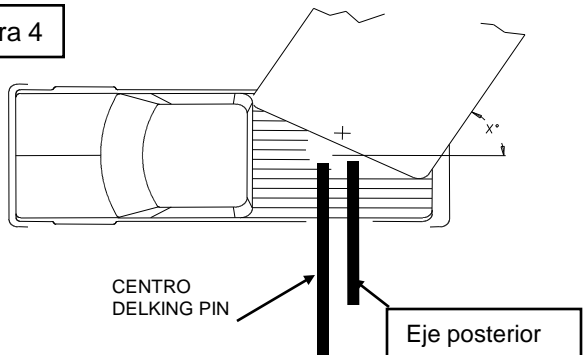
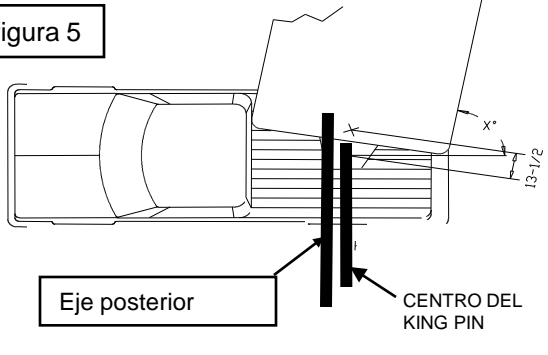


figura 5



En esta figura, el Pro Slider está colocado en la **posición de remolque**, al frente del eje posterior. Observe que se ha usado una extensión de caja conectora de 13-1/2". ¡Esta es la única posición que se debe usar al remolcar!

En esta figura, el Pro Slider está colocado en la **posición de maniobra**. Observe que se ha usado una extensión de caja conectora de 13-1/2". ¡La posición de maniobra sólo se debe usar a velocidad baja cuando se necesite alta maniobrabilidad!

⚠ ADVERTENCIA:

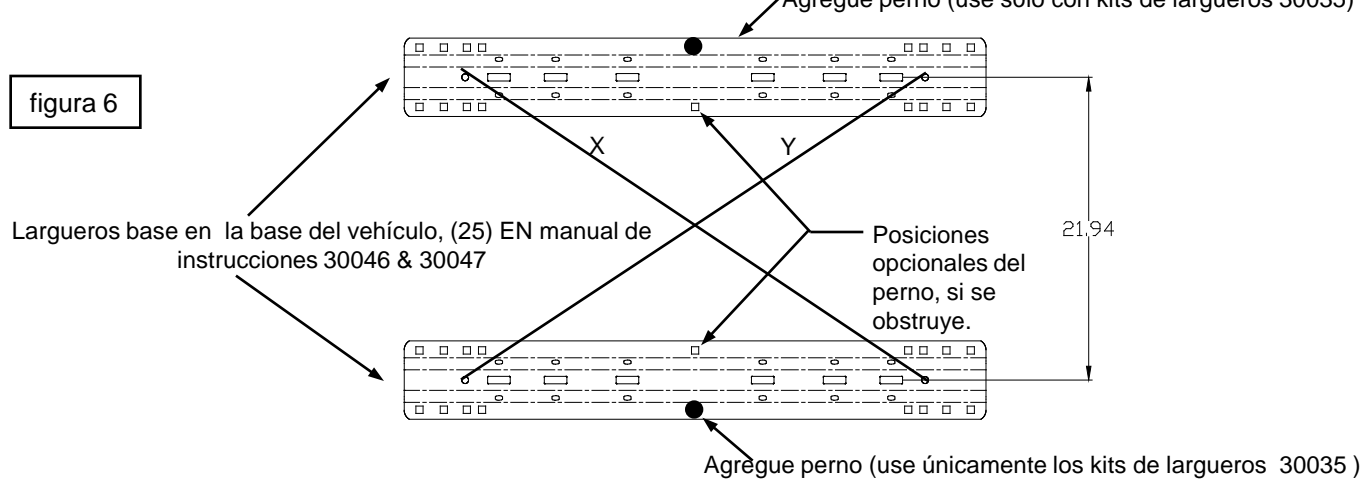
¡Nunca use el remolque en carreteras o en condiciones de alta velocidad con un PRO Slider en la Posición de maniobra (hacia atrás del eje posterior)! Remolcar con el king pin hacia atrás del eje posterior del vehículo puede afectar la distribución del peso e interferir con las características de manejo y respuesta del vehículo de remolque, lo que podría resultar en muerte o lesiones de gravedad.

5. Debido a la naturaleza de trabajo pesado del ensamble del Pro Slider, el ensamble no se puede deslizar a mano cuando se instala, especialmente si los largueros base no están instalados firmemente para estar paralelos y centrados. Los largueros se deben instalar de manera que las líneas centrales de cada larguero estén a una distancia de 21.94 pulgadas (21 15/16") (ver figura 6). Las dimensiones diagonales "x" y "y" (como se muestra en la figura 6) deben estar a una distancia de 0.1 pulgada (1/8") entre sí.

Si no se cumple con esta alineación, afloje las piezas y vuelva a alinear los largueros base. Vuelva a apretar las piezas según las instrucciones después de que los largueros base estén correctamente alineados.

6. Perfore 2 orificios identificados en la figura 6 (revise en busca de obstrucciones). Perfore todos los orificios con un taladro de 3/16" y agrande con un taladro de 17/32". Siempre use brocas filosas. Instale pernos de carruaje de 1/2" en los orificios. Instale un espaciador ranurado encima o por debajo de la base para llenar los corrugados en el piso de la base, también agregue una placa de pernos debajo de la base con arandelas y tuercas. Estos pernos son adicionales a los 8 pernos usados al instalar los largueros base según las instrucciones 30035.

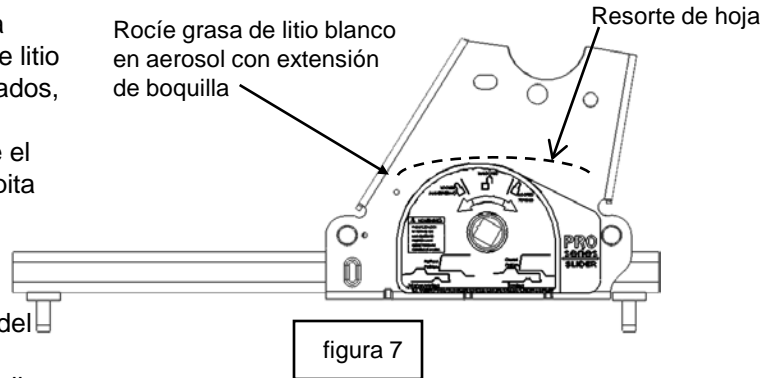
figura 6



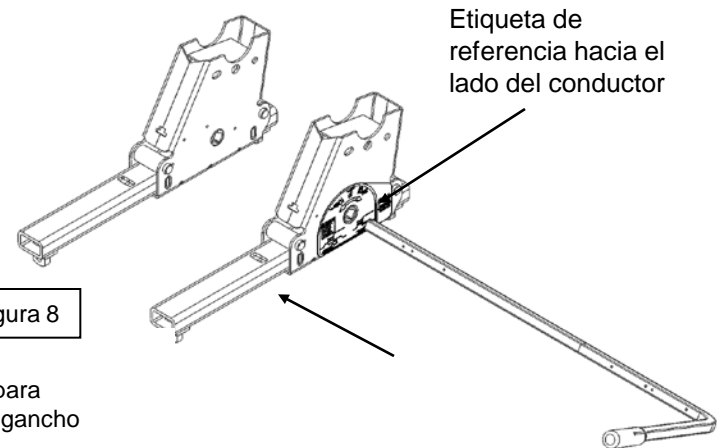
INSTALACIÓN

1. Estas instrucciones se deben usar para instalar el Pro Slider. Se debe prestar atención a los detalles para asegurar una instalación de calidad rápida y segura. Revise las partes contra la figura 1 para familiarizarse con el kit.

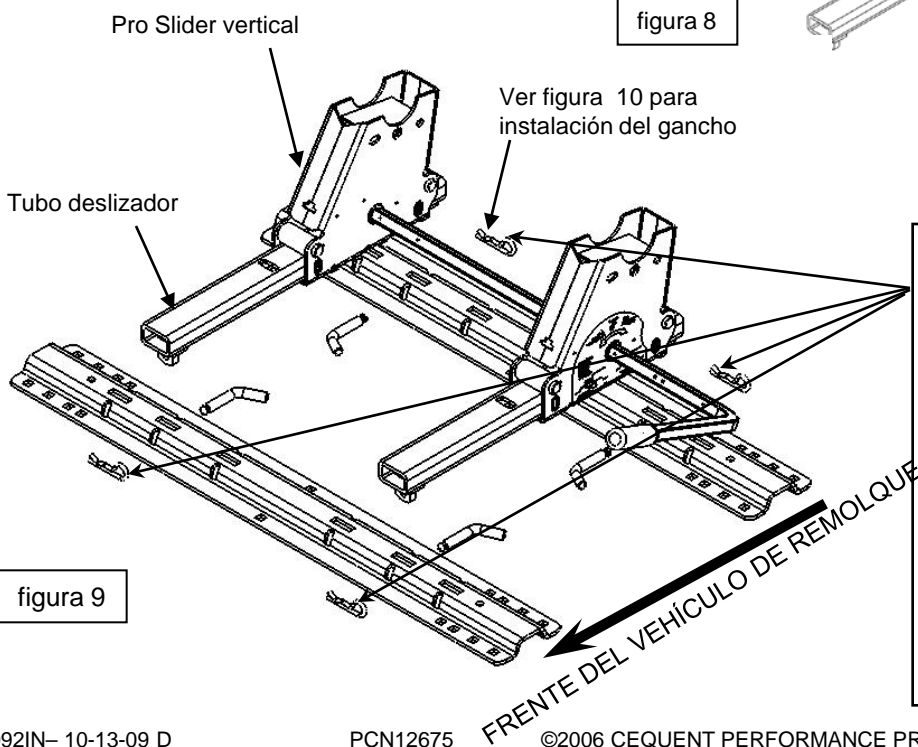
2. Antes de instalar el Pro Slider, el resorte de hoja debe engrasarse como se muestra usando grasa de litio o el equivalente (ver figura 7). Para mejores resultados, use una grasa de litio blanco en aerosol con una extensión de boquilla en el rociador. ¡Verifique que el lado inferior completo del resorte esté cubierto! Repita esta aplicación mensualmente durante el uso.



3. Antes de instalar el Pro Slider dentro de la base del vehículo, instale el eje de la manija en el codo (ver figura 1 en la página 1). Inserte el ensamble de manija a través del ensamble deslizador izquierdo (lado del pasajero del vehículo de remolque) y luego a través del ensamble deslizador derecho (ver figura 8).



4. Fije el Pro Slider dentro de los largueros base y el pasador en su posición con el Pro Slider en medio de los tubos (ver figura 9).



⚠ ADVERTENCIA:
Los ganchos de resorte del pasador de halar deben estar en el exterior del larguero base como se muestra. Los ganchos de resorte instalados en el interior del larguero base no permitirán al Pro Slider deslizarse lo suficiente para bloquearse correctamente y un movimiento repentino puede causar la muerte o lesiones graves.

5. Ensamble sin apretar el soporte de cabeza al Pro Slider a la altura deseada. Las piezas quedarán escalonadas cuando se armen. (ver figura 10)

NOTA: La posición inferior no se puede usar en todos los modelos de enganche.

Use 2 pasadores de chaveta que se suministran para fijar la manija en su lugar como se muestra. Instale de manera que el pasador indicador pase a través del lado inferior de la manija. (ver figura 10).

6. Use un procedimiento de dos pasos para apretar las piezas.

A. Empiece en un punto y apriete todas las piezas.

No ignore las conexiones debajo de la base en el bastidor. Observe la secuencia.

B. Con el mismo punto de inicio y secuencia, apriete todas las piezas. Apriete los pernos de 1/2" a 85 lb. pies

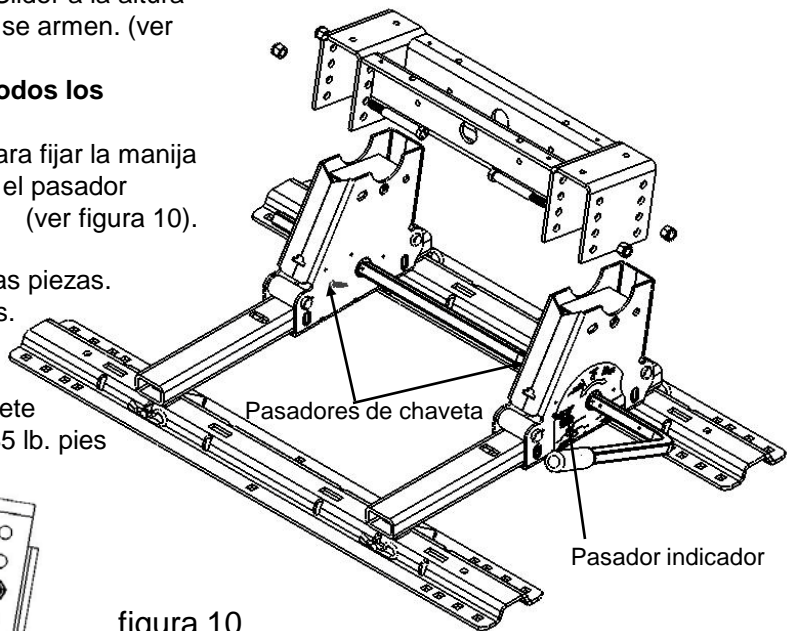
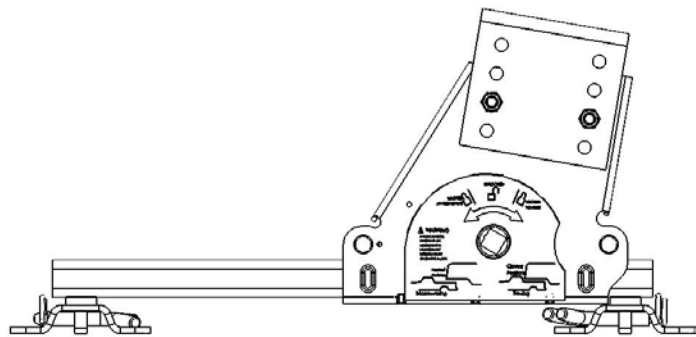


figura 10



7. Cubra las superficies superior y lateral del tubo deslizador y los orificios de rodillo (5 lugares) en cada ensamble deslizador con grasa para todo propósito o lubricación de teflón, según sea necesario (ver figura 11). Repita esta aplicación mensualmente durante el uso.

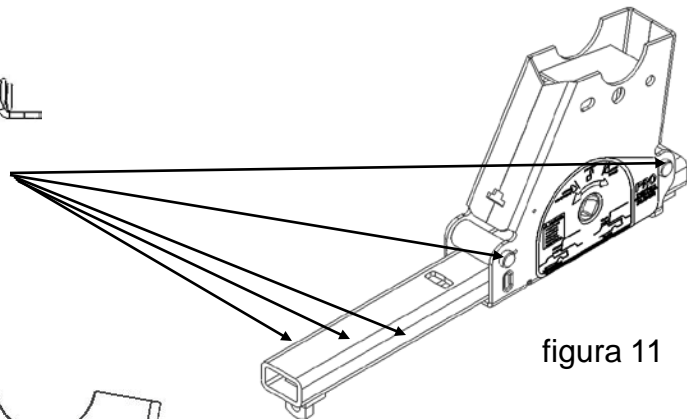


figura 11

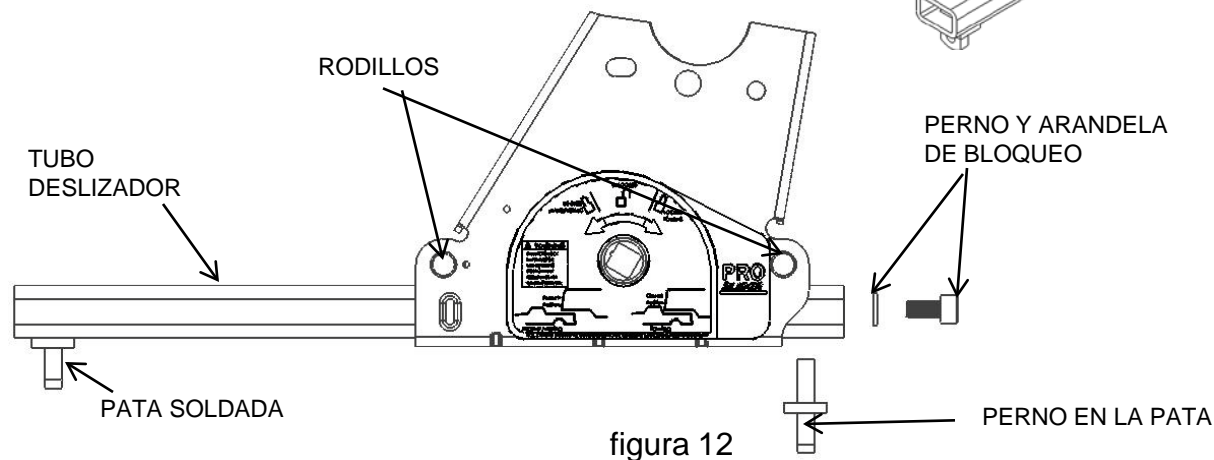


figura 12

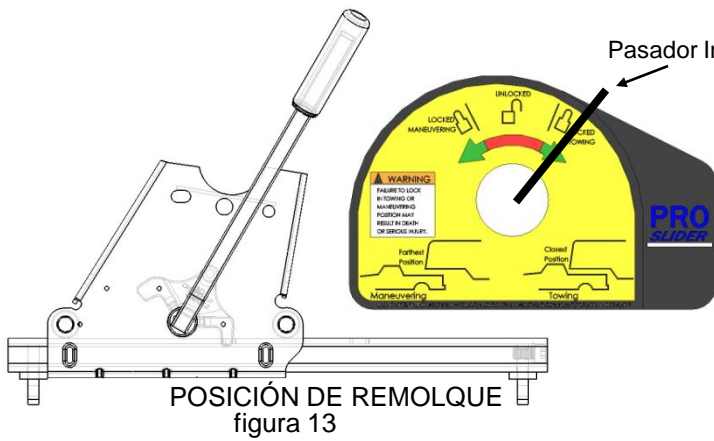
⚠ ADVERTENCIA:

¡Los enganches Pro Slider que no se bloqueen correctamente se pueden mover repentinamente y causarles la muerte! Para evitar la muerte o lesiones serias:

•Nunca coloque ninguna parte del cuerpo en la base del vehículo o entre el vehículo y el remolque a menos que se cumplan las siguientes condiciones:

- Todas las llantas del remolque **DEBEN** estar bloqueadas al frente y detrás de cada llanta, **Y**
- El tren de apoyo del remolque **DEBE** estar apoyado en terreno firme, **Y**
- ¡El vehículo **DEBE** estar estacionario, en posición de parqueo, con el freno de emergencia!

•Siempre realice pruebas de “empujar” o “halar” según las instrucciones de este manual.

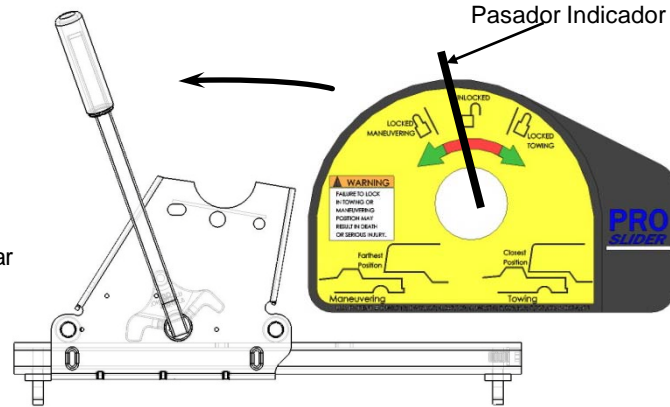


POSICIÓN DE REMOLQUE
figura 13

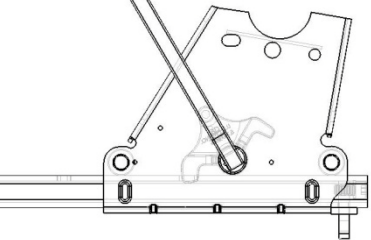
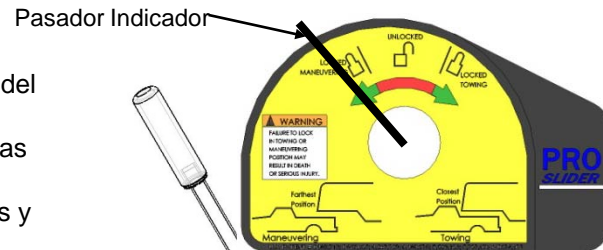
El resorte de hoja en la leva del pasador impide que el pasador se suelte. El enganche no se puede mover hacia atrás con el pasador activado. La carga posterior fuerza el pasador aún más dentro de la ranura. El enganche no se puede mover hacia adelante debido a la pata soldada (ver figuras 1, 11 y 12).



FRENTE DEL VEHÍCULO DE REMOLQUE



MOVER A POSICIÓN DE MANIOBRA
Figura 14



POSICIÓN DE MANIOBRA
Figura 15

MOVER DE POSICIÓN DE REMOLQUE A MANIOBRA

1. Coloque el vehículo y remolque en una **línea recta** sobre un área nivelada, plana.
2. Coloque el vehículo en "Parqueo" con freno de emergencia.
3. Bloquee todas las ruedas del remolque por delante y atrás.
4. Baje el tren de apoyo del remolque para que esté firme en el suelo.
5. Hale la manija hacia adelante (ver figura 14). El pasador indicador debe estar en el rango rojo no bloqueado cerca del rango verde de bloqueo de maniobra (ver figura 14). La presión del resorte oprimirá el pasador contra la parte superior del tubo, el pasador se bloqueará en su ranura cuando el Pro Slider se mueva a la posición de maniobra (ver figura 15).
6. Regrese al vehículo. Libere el freno de emergencia. Active manualmente el freno del remolque y hale el vehículo al frente hasta que el Pro Slider pare en el freno del pie (figura 12) y el pasador se active en la posición de maniobra (ver figura 15).
7. Realice la "PRUEBA DE EMPUJAR" de la siguiente manera:
 1. Active manualmente los frenos del remolque desde la cabina del vehículo.
 2. Reverse el vehículo hacia el remolque contra los bloques de las ruedas del remolque.
 3. Si el deslizador no se mueve, el pasador ha activado los tubos y debe estar bloqueado en la posición de maniobra.
 4. Si el deslizador se mueve, el pasador no ha activado los tubos.
8. **¡NO REMOLQUE!** Repita los pasos 1 - 7 arriba.
9. De nuevo, coloque el vehículo en "Parqueo" con el freno de emergencia.
10. Examine la etiqueta de advertencia. El pasador indicador debe estar ahora sobre el rango verde al lado izquierdo de la etiqueta de advertencia (ver figura 15). Si el indicador está sobre el rango rojo, el pasador no activó los tubos. **¡NO REMOLQUE!** Repita los pasos 1- 7 anteriores
11. Después de realizar exitosamente los pasos anteriores, levante completamente el tren de apoyo del remolque (ver manual del remolque).
12. Quite y guarde todos los bloques de las ruedas del remolque.

⚠️ ADVERTENCIA

¡Los enganches Pro Slider que no se bloquean correctamente se pueden mover repentinamente y causar la muerte! Para evitar la muerte o lesiones serias:

- Nunca coloque ninguna parte del cuerpo en la base del vehículo o entre el vehículo y el remolque a menos que se cumplan las siguientes condiciones:
 - Todas las llantas del remolque **DEBEN** estar bloqueadas al frente y detrás de cada llanta, **Y**
 - El tren de apoyo del remolque **DEBE** estar apoyado en terreno firme, **Y**
 - El vehículo **DEBE** estar estacionario, en posición de parqueo, con el freno de emergencia!
- Siempre realice pruebas de "empujar" o "halar" según las instrucciones de este manual.

MOVER DE POSICIÓN DE MANIOBRA A REMOLQUE

1. Coloque el vehículo y remolque en una **línea recta** sobre un área nivelada, plana.
2. Coloque el vehículo en "Parqueo" con freno de emergencia.
3. Bloquee todas las ruedas del remolque por delante y atrás.
4. Baje el tren de apoyo del remolque para que esté firme en el suelo.
5. Empuje la manija hacia atrás (ver figura 16). El pasador indicador debe estar en el rango rojo no bloqueado cerca del rango verde de bloqueo de remolque (ver figura 16). La presión del resorte oprimirá el pasador contra la parte superior del tubo, el pasador se bloqueará en la ranura cuando el Pro Slider se mueva a la posición de remolque (ver figura 17).
6. Regrese al vehículo. Libere el freno de emergencia. Active manualmente el freno del remolque y reverse el vehículo hasta que el Pro Slider pare en la pata soldada (figura 12) y el pasador se active en la posición de remolque (ver figura 17).

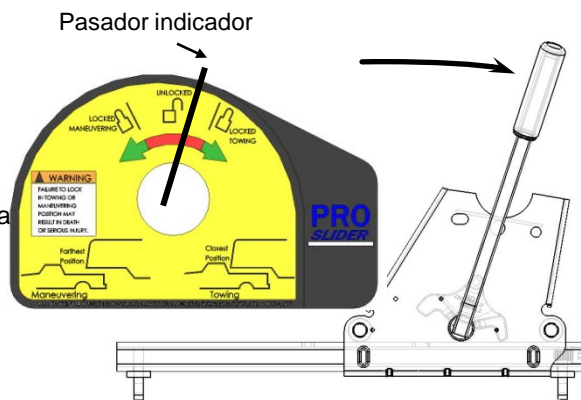
7. Realice la "PRUEBA DE HALAR" de la siguiente manera:

1. Active manualmente los frenos del remolque desde la cabina del vehículo.
2. Hale el vehículo y el remolque hacia delante contra los bloques de las ruedas del remolque.
3. Si el deslizador no se mueve, el pasador ha activado los tubos y debe estar bloqueado en la posición de remolque.
4. Si el Kwik-Slide se mueve, el pasador no ha activado los tubos.

¡NO REMOLQUE! Repita los pasos 1 - 7 arriba.

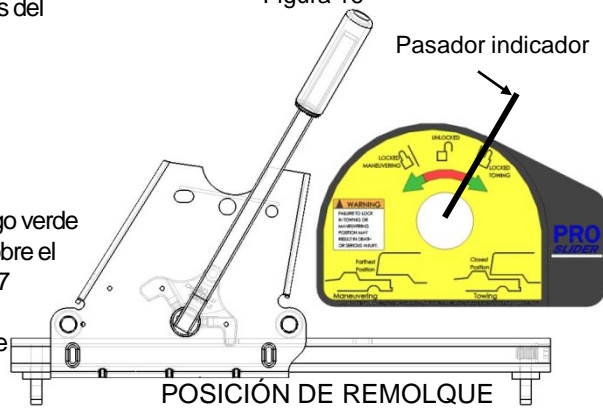
8. De nuevo, coloque el vehículo en "Parqueo" con el freno de emergencia.
9. Examine la etiqueta de advertencia. El indicador debe estar ahora sobre el rango verde al lado derecho de la etiqueta de advertencia (ver figura 17). Si el indicador está sobre el rango rojo, el pasador no activó los tubos. **¡NO REMOLQUE!** Repita los pasos 1-7 anteriores.
10. Después de realizar exitosamente los pasos anteriores, levante completamente el tren de apoyo del remolque (ver manual del remolque).
11. Quite y guarde todos los bloques de las ruedas del remolque.

FRENTE DE VEHÍCULO DE REMOLQUE



MOVER A POSICIÓN DE REMOLQUE

Figura 16



POSICIÓN DE REMOLQUE

Figura 17

⚠ **ADVERTENCIA:**

Los enganches Pro Slider que no se bloqueen correctamente se pueden mover repentinamente y causar la muerte! Para evitar la muerte o lesiones serias:

•Nunca coloque ninguna parte del cuerpo en la base del vehículo o entre el vehículo y el remolque a menos que se cumplan las siguientes condiciones:

- Todas las llantas del remolque DEBEN estar bloqueadas al frente y detrás de cada llanta, Y**
- El tren de apoyo del remolque DEBE estar apoyado en terreno firme, Y**
- ¡El vehículo DEBE estar estacionario, en posición de parqueo, con el freno de emergencia!**

•Siempre realice pruebas de "empujar" o "halar" según las instrucciones de este manual.

GARANTÍA LIMITADA DE TRES AÑOS

CEQUENT PERFORMANCE PRODUCTS garantiza el deslizador Pro Series Slider a partir de la fecha de compra contra cualquier defecto material y de mano de obra bajo condiciones normales de uso y servicio, se excluyen el desgaste normal, durante 3 años de propiedad al comprador original cuando se use un kit de montaje de Cequent Performance Products.

Los productos usados por transportistas profesionales están sujetos a una garantía limitada de un (1) año de Cequent Performance Products.

CEQUENT PERFORMANCE PRODUCTS reemplazará sin costo cualquier parte que tenga un defecto material o de mano de obra cuando se presente a cualquier distribuidor de CEQUENT PERFORMANCE PRODUCTS (consulte el directorio telefónico local), o bodega de CEQUENT PERFORMANCE PRODUCTS o cuando se devuelva a la fábrica. CON CARGOS DE TRANSPORTE PREPAGADOS, a la dirección que aparece abajo. ESTA GARANTÍA ESTÁ LIMITADA AL REEMPLAZO DE PARTES DEFECTUOSAS ÚNICAMENTE. SE EXCLUYEN LOS CARGOS POR MANO DE OBRA Y/O DAÑOS EN LOS QUE SE INCURRA DURANTE LA INSTALACIÓN O EL REEMPLAZO, ASÍ COMO LOS DAÑOS INCIDENTALES O RESULTANTES DE LOS MISMOS.

Algunos estados no permiten la exclusión o la limitación de daños incidentales o resultantes, de manera que la limitación o exclusión anterior podría no corresponderle.

Cualquier daño al deslizador Pro Series Slider como resultado del mal uso, abuso, negligencia, accidente, instalación incorrecta o el uso incorrecta de cualquier instrucción entregada por nosotros INVALIDARÁ LA GARANTÍA.

Esta garantía le concede derechos legales específicos y usted también podría tener otros derechos que varían de estado a estado. En el evento de un problema con el servicio o el desempeño de la garantía, usted también puede acudir a una corte de asuntos menores o a una corte distrital federal.

Cequent Performance Products, Inc.
47774 Anchor Court
Plymouth, MI 48170